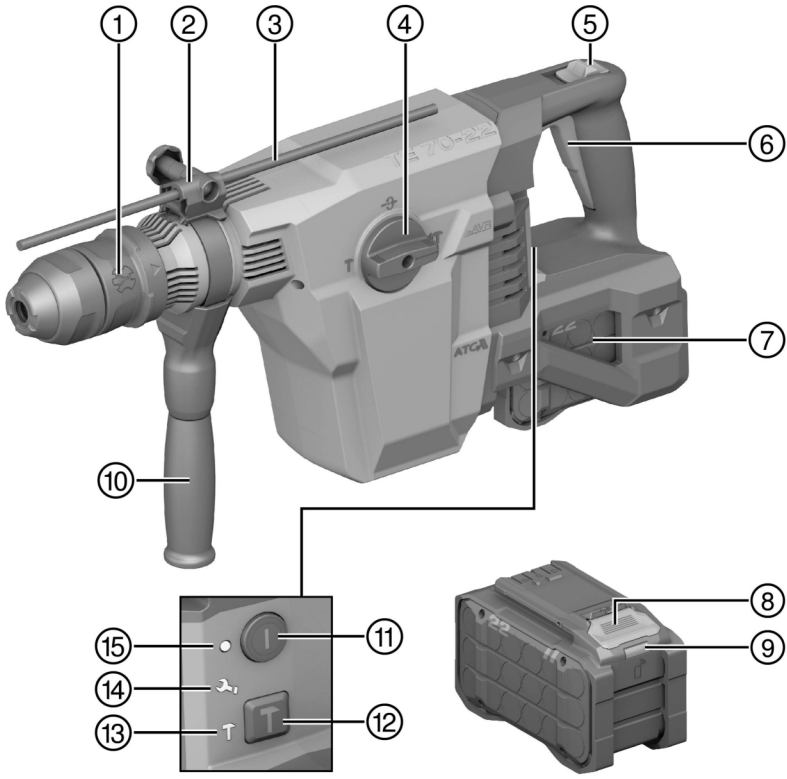


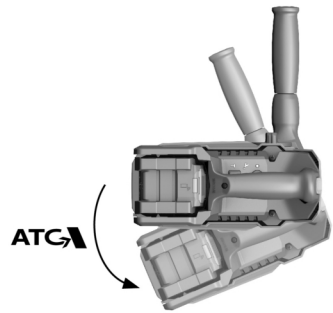


TE 70-22 (04)

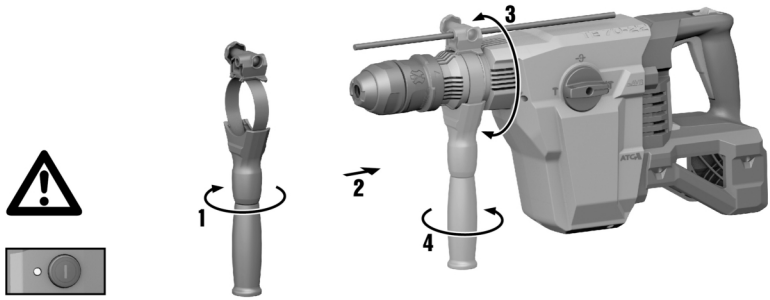
English	1
Français	11
Español	21
Português	31



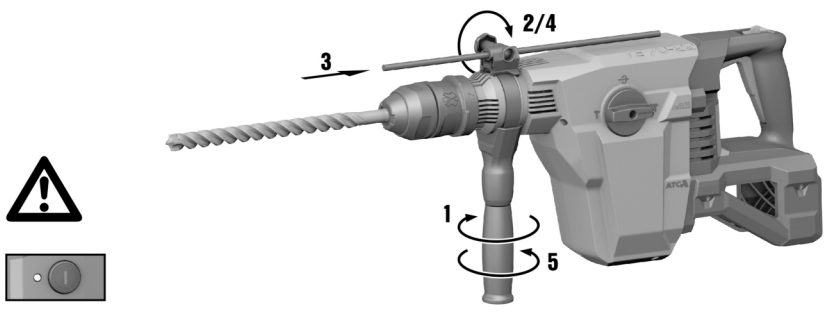
2



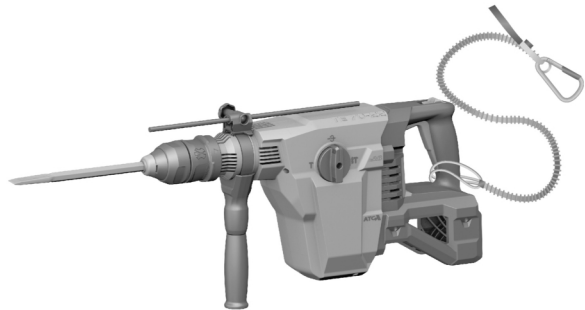
3



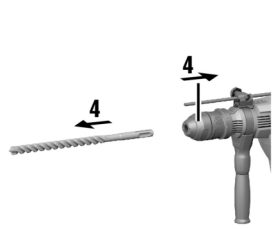
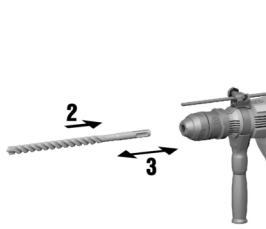
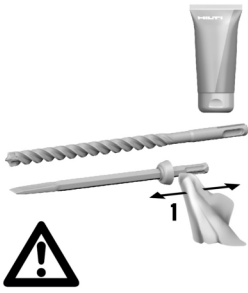
4



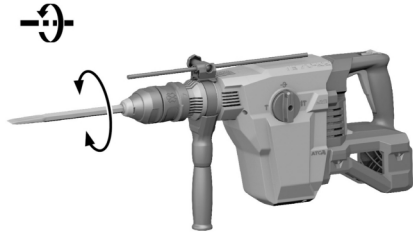
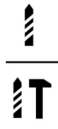
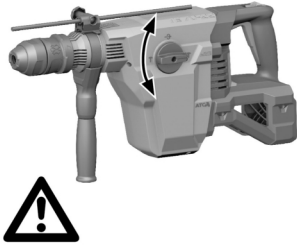
5



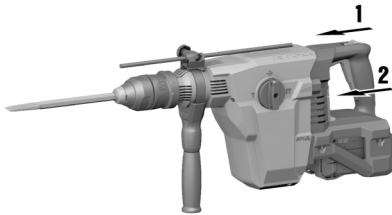
6



7



8



# en Original operating instructions

## Information about the operating instructions

### About these operating instructions

- **Warning!** Read and understand all accompanying documentation, including but not limited to instructions, safety warnings, illustrations, and specifications provided with this product. Familiarize yourself with all the instructions, safety warnings, illustrations, specifications, components, and functions of the product before use. Failure to do so may result in electric shock, fire, and/or serious injury. Save all warnings and instructions for future reference.
- products are designed for professional users and only trained, authorized personnel are permitted to operate, service and maintain the products. This personnel must be specifically informed about the possible hazards. The product and its ancillary equipment can present hazards if used incorrectly by untrained personnel or if used not in accordance with the intended use.
- The accompanying documentation corresponds to the current state of the art at the time of printing. Please always check for the latest version on the product's page on Hilti's website. To do this, follow the link or scan the QR code in this documentation, marked with the symbol
- Ensure that these operating instructions are with the product when it is given to other persons.

### Explanation of signs used

#### Warnings

Warnings alert persons to hazards that occur when handling or using the product. The following signal words are used:



#### DANGER !

- ▶ Draws attention to imminent danger that will lead to serious personal injury or fatality.



#### WARNING !

- ▶ Draws attention to a potential threat of danger that can lead to serious injury or fatality.



#### CAUTION !

- ▶ Draws attention to a potentially dangerous situation that could lead to personal injury or damage to the equipment or other property.

### Symbols in the operating instructions

The following symbols are used in these operating instructions:

	Comply with the operating instructions
	Instructions for use and other useful information
	Cross-reference
	Dealing with recyclable materials
	Do not dispose of electric equipment and batteries as household waste
	Hilti Li-ion battery
	Hilti charger

### Symbols in the illustrations

The following symbols are used in illustrations:

	These numbers refer to the illustrations at the beginning of these operating instructions.
	The numbers in illustrations refer to important work steps or to components important for the work steps. In the text, the corresponding numbers draw attention to these work steps or components, e.g. <b>(3)</b> .
	Item reference numbers are used in the <b>overview illustration</b> and refer to the numbers used in the <b>product overview</b> section.
	This symbol is intended to draw your special attention to certain points for handling the product.



## Product-dependent symbols

### Symbols on the product

The following symbols can be used on the product:

	Drilling with hammering action (hammer drilling)
	Chiseling
	Chisel positioning
	Protection class II (double-insulated)
	Diameter
$n_0$	Rated speed under no load
/min	Revolutions per minute
	Direct current (DC)
	The product supports near-field communication (NFC) technology compatible with iOS and Android platforms.
Li-Ion	Li-ion battery
	Never use the battery as a striking tool.
	Do not drop the battery. Never use a battery that has suffered an impact or is damaged in any other way.
	<b>Hilti</b> Li-ion battery type series used. Observe the information given in the section headed <b>Intended use</b> .
	If applied on the product, the product has been certified by this certification body for the US and Canadian markets according to the applicable standards.

## Safety

### General power tool safety warnings

**⚠ WARNING** Read all safety warnings, instructions, illustrations and specifications provided with this power tool. Failure to follow all instructions listed below may result in electric shock, fire and/or serious injury.

### Save all warnings and instructions for future reference.

The term "power tool" in the warnings refers to your mains-operated (corded) power tool or battery-operated (cordless) power tool.

### Work area safety

- ▶ **Keep work area clean and well lit.** Cluttered or dark areas invite accidents.
- ▶ **Do not operate power tools in explosive atmospheres, such as in the presence of flammable liquids, gases or dust.** Power tools create sparks which may ignite the dust or fumes.
- ▶ **Keep children and bystanders away while operating a power tool.** Distractions can cause you to lose control.

### Electrical safety

- ▶ **Power tool plugs must match the outlet. Never modify the plug in any way. Do not use any adapter plugs with earthed (grounded) power tools.** Unmodified plugs and matching outlets will reduce risk of electric shock.
- ▶ **Avoid body contact with earthed or grounded surfaces, such as pipes, radiators, ranges and refrigerators.** There is an increased risk of electric shock if your body is earthed or grounded.
- ▶ **Do not expose power tools to rain or wet conditions.** Water entering a power tool will increase the risk of electric shock.
- ▶ **Do not abuse the cord. Never use the cord for carrying, pulling or unplugging the power tool. Keep cord away from heat, oil, sharp edges or moving parts.** Damaged or entangled cords increase the risk of electric shock.
- ▶ **When operating a power tool outdoors, use an extension cord suitable for outdoor use.** Use of a cord suitable for outdoor use reduces the risk of electric shock.
- ▶ **If operating a power tool in a damp location is unavoidable, use a residual current device (RCD) protected supply.** Use of an RCD reduces the risk of electric shock.

### Personal safety

- ▶ **Stay alert, watch what you are doing and use common sense when operating a power tool. Do not use a power tool while you are tired or under the influence of drugs, alcohol or medication.** A moment of inattention while operating power tools may result in serious personal injury.
- ▶ **Use personal protective equipment. Always wear eye protection.** Protective equipment such as a dust mask, non-skid safety shoes, hard hat or hearing protection used for appropriate conditions will reduce personal injuries.



- ▶ **Prevent unintentional starting.** Ensure the switch is in the **off-position** before connecting to power source and/or battery pack, picking up or carrying the tool. Carrying power tools with your finger on the switch or energising power tools that have the switch on invites accidents.
- ▶ **Remove any adjusting key or wrench before turning the power tool on.** A wrench or a key left attached to a rotating part of the power tool may result in personal injury.
- ▶ **Do not overreach. Keep proper footing and balance at all times.** This enables better control of the power tool in unexpected situations.
- ▶ **Dress properly. Do not wear loose clothing or jewellery. Keep your hair and clothing away from moving parts.** Loose clothes, jewellery or long hair can be caught in moving parts.
- ▶ **If devices are provided for the connection of dust extraction and collection facilities, ensure these are connected and properly used.** Use of dust collection can reduce dust-related hazards.
- ▶ **Do not let familiarity gained from frequent use of tools allow you to become complacent and ignore tool safety principles.** A careless action can cause severe injury within a fraction of a second.

#### Power tool use and care

- ▶ **Do not force the power tool. Use the correct power tool for your application.** The correct power tool will do the job better and safer at the rate for which it was designed.
- ▶ **Do not use the power tool if the switch does not turn it on and off.** Any power tool that cannot be controlled with the switch is dangerous and must be repaired.
- ▶ **Disconnect the plug from the power source and/or remove the battery pack, if detachable, from the power tool before making any adjustments, changing accessories, or storing power tools.** Such preventive safety measures reduce the risk of starting the power tool accidentally.
- ▶ **Store idle power tools out of the reach of children and do not allow persons unfamiliar with the power tool or these instructions to operate the power tool.** Power tools are dangerous in the hands of untrained users.
- ▶ **Maintain power tools and accessories. Check for misalignment or binding of moving parts, breakage of parts and any other condition that may affect the power tool's operation. If damaged, have the power tool repaired before use.** Many accidents are caused by poorly maintained power tools.
- ▶ **Keep cutting tools sharp and clean.** Properly maintained cutting tools with sharp cutting edges are less likely to bind and are easier to control.
- ▶ **Use the power tool, accessories and tool bits etc. in accordance with these instructions, taking into account the working conditions and the work to be performed.** Use of the power tool for operations different from those intended could result in a hazardous situation.
- ▶ **Keep handles and grasping surfaces dry, clean and free from oil and grease.** Slippery handles and grasping surfaces do not allow for safe handling and control of the tool in unexpected situations.

#### Battery tool use and care

- ▶ **Recharge only with the charger specified by the manufacturer.** A charger that is suitable for one type of battery pack may create a risk of fire when used with another battery pack.
- ▶ **Use power tools only with specifically designated battery packs.** Use of any other battery packs may create a risk of injury and fire.
- ▶ **When battery pack is not in use, keep it away from other metal objects, like paper clips, coins, keys, nails, screws or other small metal objects, that can make a connection from one terminal to another.** Shorting the battery terminals together may cause burns or a fire.
- ▶ **Under abusive conditions, liquid may be ejected from the battery; avoid contact. If contact accidentally occurs, flush with water. If liquid contacts eyes, additionally seek medical help.** Liquid ejected from the battery may cause irritation or burns.
- ▶ **Do not use a battery pack or tool that is damaged or modified.** Damaged or modified batteries may exhibit unpredictable behaviour resulting in fire, explosion or risk of injury.
- ▶ **Do not expose a battery pack or tool to fire or excessive temperature.** Exposure to fire or temperature above 130° C (265 °F) may cause explosion.
- ▶ **Follow all charging instructions and do not charge the battery pack or tool outside the temperature range specified in the instructions.** Charging improperly or at temperatures outside the specified range may damage the battery and increase the risk of fire.

#### Service

- ▶ **Have your power tool serviced by a qualified repair person using only identical replacement parts.** This will ensure that the safety of the power tool is maintained.
- ▶ **Never service damaged battery packs.** Service of battery packs should only be performed by the manufacturer or authorized service providers.

#### Hammer safety warnings

##### Safety instructions for all operations

- ▶ **Wear ear protectors.** Exposure to noise can cause hearing loss.
- ▶ **Use auxiliary handle(s), if supplied with the tool.** Loss of control can cause personal injury.
- ▶ **Hold the power tool by insulated gripping surfaces, when performing an operation where the cutting accessory may contact hidden wiring.** Cutting accessory contacting a "live" wire may make exposed metal parts of the power tool "live" and could give the operator an electric shock.

##### Safety instructions when using long drill bits with rotary hammers

- ▶ **Always start drilling at low speed and with the bit tip in contact with the workpiece.** At higher speeds, the bit is likely to bend if allowed to rotate freely without contacting the workpiece, resulting in personal injury.
- ▶ **Apply pressure only in direct line with the bit and do not apply excessive pressure.** Bits can bend causing breakage or loss of control, resulting in personal injury.



## Additional safety instructions for rotary hammer drill

### Personal safety

- ▶ Use the product and accessories only when they are in perfect working order.
- ▶ Never tamper with or modify the product or accessories in any way.
- ▶ Risk of injury by falling tools and/or accessories. Before starting work, check that the battery and installed accessories are secure.
- ▶ Keep the air vents clear at all times. Risk of burn injuries due to blocked air vents!
- ▶ Apply appropriate safety measures at the opposite side of the workpiece in work that involves breaking through. Parts breaking away could fall out and / or fall down causing injury to other persons.
- ▶ Always hold the tool with both hands on the grips provided. Keep the grips clean and dry.
- ▶ Always check that you have a safe and firm stance when you use the product. Make sure that you are securely balanced and have control before you start the operation.
- ▶ Do not touch rotating parts – risk of injury!
- ▶ Working on the material may cause it to splinter. Flying fragments present a risk of injury to the eyes and body. Wear eye protection, a hard hat and ear protection while the product is in use. In addition, wear light respiratory protection if you are not using a dust extractor.
- ▶ Wear protective gloves when changing the accessory tool and for chiseling. Touching the accessory tool can result in cuts and burns.
- ▶ Dust produced by grinding, sanding, cutting and drilling can contain dangerous chemicals. Some examples are: lead or lead-based paints; brick, concrete and other masonry products, natural stone and other products containing silicates; certain types of wood, such as oak, beech and chemically treated wood; asbestos or materials that contain asbestos. Determine the exposure of the operator and bystanders by means of the hazard classification of the materials to be worked. Implement the necessary measures to restrict exposure to a safe level, for example by the use of a dust collection system or by the wearing of suitable respiratory protection. The general measures for reducing exposure include:
  - ▶ working in an area that is well ventilated,
  - ▶ avoidance of prolonged contact with dust,
  - ▶ directing dust away from the face and body,
  - ▶ wearing protective clothing and washing exposed areas of the skin with water and soap.
- ▶ Take frequent breaks and do physical exercises to improve the blood circulation in your fingers. High vibration during long periods of work can lead to disorders of the blood vessels and nervous system in the fingers, hands and wrists.
- ▶ Do not work off a ladder.

### Electrical safety

- ▶ Before beginning work, check the working area for concealed electric cables or gas and water pipes. External metal parts of the product could give you an electric shock or cause an explosion if you accidentally damage an electric cable or a gas or water pipe.

### Power tool use and care

- ▶ Immediately switch off the power tool if the accessory tool jams. The product might twist off-line.
- ▶ Switch the product on only after you have brought it to the working position.
- ▶ When chiseling into ceilings, walls and floors, always make sure that you have a safe and firm stance. A sudden break-through can affect your balance!
- ▶ Wait until the product has come to a complete stop before you lay it down.

### Careful handling and use of batteries

- ▶ **Comply with the following safety instructions for the safe handling and use of Li-ion batteries.** Failure to comply can lead to skin irritation, severe corrosive injury, chemical burns, fire and/or explosion.
- ▶ Use only batteries that are in perfect working order.
- ▶ Treat batteries with care in order to avoid damage and prevent leakage of fluids that are extremely harmful to health!
- ▶ Do not under any circumstances modify or tamper with batteries!
- ▶ Do not disassemble, crush or incinerate batteries and do not subject them to temperatures over 80 °C (176 °F).
- ▶ Never use or charge a battery that has suffered an impact or been damaged in any other way. Check your batteries regularly for signs of damage.
- ▶ Never use recycled or repaired batteries.
- ▶ Never use the battery or a battery-operated power tool as a striking tool.
- ▶ Never expose batteries to the direct rays of the sun, elevated temperature, sparking, or open flame. This can lead to explosions.
- ▶ Do not touch the battery poles with your fingers, tools, jewelry, or other electrically conductive objects. This can damage the battery and also cause material damage and personal injury.
- ▶ Keep batteries away from rain, moisture and liquids. Penetrating moisture can cause short circuits, electric shock, burns, fire and explosions.
- ▶ Use only chargers and power tools approved for the specific battery type. Read and follow the relevant operating instructions.
- ▶ Do not use or store the battery in explosive environments.
- ▶ If the battery is too hot to touch, it may be defective. Put the battery in a place where it is clearly visible and where there is no risk of fire, at an adequate distance from flammable materials. Allow the battery to cool down. If it is still too hot to touch after an hour, the battery is faulty. Consult **Hilti Service** or read the document entitled "Instructions on safety and use for **Hilti** Li-ion batteries".



Observe the special guidelines applicable to the transport, storage and use of lithium-ion batteries.

Read the instructions on safety and use of **Hilti** Li-ion batteries that you can access by scanning the QR code at the end of these operating instructions.





## Description

### Product overview

①	Tool holder (SDS-max)	⑨	Battery status indicator
②	Depth gauge adjustment (accessory)	⑩	Side handle
③	Depth gauge (accessory)	⑪	On/off switch
④	Function selector switch	⑫	Button for half power
⑤	Lock button for continuous chiseling operation	⑬	Half-power indicator
⑥	Control switch	⑭	Service indicator
⑦	Battery	⑮	ON/OFF indicator
⑧	Battery release button		

### Intended use

The product described is a cordless SDS-max rotary hammer drill with pneumatic hammering mechanism. It is designed for drilling in concrete, masonry, wood and metal. The product can also be used for light- to medium-duty chiseling on masonry and surface finishing work on concrete.

- For this product, use only **Hilti** Nuron lithium-ion batteries of the B 22 series. For optimum performance, **Hilti** recommends the batteries stated in the table at the end of these operating instructions for this product.
- For these batteries, use only **Hilti** chargers of the type series stated in the table at the end of these operating instructions.

### Undercut anchors

The product is suitable for setting selected undercut anchors. Use only suitable setting tools!

For more information contact **Hilti** Service.

### ATC

The product is equipped with the ATC (Active Torque Control) quick-acting electronic cut-out.

If the accessory tool sticks or stalls, the product will suddenly pivot about its own axis in the opposite direction. ATC detects this sudden pivoting movement of the product and switches the product off immediately.

- For ATC to function correctly, the product must be free to pivot.  
After an ATC cut-out, switch the product off and then on again.

### Active Vibration Reduction

The tool is equipped with an Active Vibration Reduction (AVR) system which reduces vibration noticeably.

### Service indicator

The product is equipped with a service indicator LED.

### MMI

Status	Meaning
Red <b>Service indicator</b> lights up.	Service is due.
Red <b>Service indicator</b> flashes.	Have the product repaired by <b>Hilti</b> Service.
Green ON/OFF indicator lights up.	The product is switched on
Green ON/OFF indicator flashes.	The product is switched off because of a transient fault.
Green ON/OFF indicator is off.	The product is switched off.
The yellow <b>Half power</b> indicator lights up.	The product is working at half power or the battery is too weak for full power.
The yellow <b>Half power</b> indicator is off.	The product is working at full power.

### Items supplied

SDS-max rotary hammer drill, side handle, operating instructions.

Other system products approved for use with this product can be found at your local **Hilti Store** or at: [www.hilti.group](http://www.hilti.group)

### Status indicators of the Li-ion battery

**Hilti** Nuron Li-ion batteries can indicate state of charge, fault messages and the battery's state of health.

### Indicators for state of charge and fault messages

#### **WARNING**

#### Risk of injury by a falling battery!

- If the release button is pressed with a battery inserted in the product, subsequently check that the battery is correctly re-engaged and secure.

Short-press the release button of the battery to get whichever of the following status indications is applicable at the time.

State of charge and, if applicable, faults are indicated constantly as long as the connected product is switched on.

Status	Meaning
Four (4) LEDs show constantly green	State of charge: 100 % to 71 %
Three (3) LEDs show constantly green	State of charge: 70 % to 51 %
Two (2) LEDs show constantly green	State of charge: 50 % to 26 %



Status	Meaning
One (1) LED shows constantly green	State of charge: 25 % to 10 %
One (1) LED slow-flashes green	State of charge: < 10 %
One (1) LED quick-flashes green	The Li-ion battery is completely discharged. Charge the battery. If the LED again starts quick-flashing after the battery has been charged, consult <b>Hilti Service</b> .
One (1) LED quick-flashes yellow	The Li-ion battery or the product in which it is inserted is overloaded, too hot or too cold, or experiencing some other fault. Bring the product and the battery to the recommended working temperature and do not overload the product when it is in use. If the message persists, consult <b>Hilti Service</b> .
One (1) LED shows yellow	The Li-ion battery and the product in which it is inserted are not compatible. Consult <b>Hilti Service</b> .
One (1) LED quick-flashes red	The Li-ion battery is locked and cannot be used. Consult <b>Hilti Service</b> .

#### Indicators showing the battery's state of health

To check the battery's state of health, press the release button and hold it down for longer than 3 seconds. The system does not detect a potential malfunction of the battery due to misuse, for example battery dropped or pierced, external heat damage, etc.

Status	Meaning
All LEDs show in sequence, followed by one (1) LED showing constantly green.	The battery can remain in use.
All LEDs show in sequence, followed by one (1) LED quick-flashing yellow.	The check to ascertain the battery's state of health did not complete. Repeat the procedure, or consult <b>Hilti Service</b> .
All LEDs show in sequence, followed by one (1) LED showing constantly red.	If a connected product can still be used, the remaining battery capacity is below 50 %. If a connected product can no longer be used, the battery has reached the end of its useful life and has to be replaced. Consult <b>Hilti Service</b> .

#### Technical data

##### Technical data

	TE 70-22
Product generation	04
Rated voltage	21.6 V
Weight without battery	8.9 kg (19.6 lb)
Single impact energy	14.5 J
Drilling diameter range in concrete/masonry (hammer drilling)	1/2 in ... 2 3/16 in
Ambient temperature for operation	-17 °C ... 60 °C (1 °F ... 140 °F)
Storage temperature	-20 °C ... 70 °C (-4 °F ... 158 °F)

#### Battery

Battery operating voltage	21.6 V
Weight, battery	See the end of these operating instructions
Ambient temperature for operation	-17 °C ... 60 °C (1 °F ... 140 °F)
Storage temperature	-20 °C ... 40 °C (-4 °F ... 104 °F)
Battery charging starting temperature	-10 °C ... 45 °C (14 °F ... 113 °F)

#### Preparations at the workplace

##### WARNING

#### Risk of injury by inadvertent starting!

- ▶ Before inserting the battery, make sure that the product is switched off.
- ▶ Remove the battery before making any adjustments to the power tool or before changing accessories.

Observe the safety instructions and warnings in this documentation and on the product.



### Charging the battery

1. Before charging the battery, read the operating instructions for the charger.
2. Make sure that the contacts on the battery and the contacts on the charger are clean and dry.
3. Use an approved charger to charge the battery. 5

### Inserting the battery



#### WARNING

#### Risk of injury by short circuit or falling battery!

- ▶ Before inserting the battery, make sure that the contacts on the battery and the contacts on the product are free of foreign matter.
- ▶ Make sure that the battery always engages correctly.

1. Charge the battery fully before using it for the first time.
2. Push the battery into the product until it engages with an audible click.
3. Check that the battery is seated securely.

### Removing the battery

1. Press the battery release button.
2. Remove the battery from the product.

### Fitting the side handle



#### CAUTION

#### Risk of injury Loss of control over the product.

- ▶ Check that the side handle is fitted correctly and tightened securely. Check that the clamping band is engaged in the groove in the product.



#### CAUTION

#### Risk of injury. The depth gauge, if fitted but not used, might hinder the operator.

- ▶ Remove the depth gauge from the product.
1. Release the side handle clamping band by turning the handle grip.
  2. Slide the holder (clamping band) over the tool holder (SDS-max) from the front and into the recess provided.
  3. Set the side handle to the desired position.
  4. Tighten the side handle clamping band by turning the handle grip.

### Fitting the depth gauge (optional)

1. Release the side handle clamping band by turning the handle grip.
2. Release the side handle by turning the knob until the clamping band is slack.
3. Slide the depth gauge from the front into the 2 guide holes provided.
4. Secure the side handle by turning the knob until the clamping band is tight.
5. Tighten the side handle clamping band by turning the handle grip.

### Setting the power level



After the battery is inserted, the product is always set by default to full power.

**If you use batteries smaller than those recommended in these operating instructions, the product automatically reduces power. This prevents overloading of the batteries and extends service life.** The "half power indicator" lights up. Switchover to full power is not possible.

1. Press the "button for half power". The product runs at half power.
  - ▶ The "half power indicator" lights up.
2. Press the "button for half power" again. The product runs at full power.
  - ▶ The "half power indicator" goes out.

### Fall arrest



#### WARNING

#### Risk of injury by falling tool and/or accessory!

- ▶ Use only the **Hilti** tool tether recommended for your product.
- ▶ Prior to each use, always check the attachment point of the tool tether for possible damage.



Comply with the national regulations for working at heights.

As drop arrester for this product, use only the **Hilti** tool tether #2261971.

- ▶ Use the loop to secure the tool tether to the product as shown in the illustration. Check that it holds securely.
- ▶ Secure the carabiner to a load-bearing structure. Check that the carabiner holds securely.



Comply with the operating instructions of the **Hilti** tool tether.



**Inserting / removing the accessory tool 6****⚠ DANGER**

**Risk of fire!** Risk of contact between the hot accessory tool and highly inflammable materials.

- ▶ Do not lay the hot accessory tool down on highly inflammable materials.

**⚠ CAUTION**

**Risk of injury by the accessory tool!** The accessory tool might be hot or have sharp edges.

- ▶ Wear protective gloves when changing the accessory tool.



The use of unsuitable grease can cause damage to the product. **Use only genuine Hilti grease.**

1. Apply a little grease to the connection end of the accessory tool.
2. Push the accessory tool into the tool holder (SDS-max) as far as it will go until it engages.
3. After fitting the accessory tool, grip it and pull it in order to check that it is securely engaged.
  - ▶ The product is ready for use.
4. Pull the tool lock back as far as it will go and remove the accessory tool.

**Operation**

Observe the safety instructions and warnings in this documentation and on the product.

**Switching on**

1. Press the on/off switch.
2. Then press the control switch.

**Function selector switch 7**

- ▶ Set the function selector switch to the desired working position.
  - ▶ Do not operate the function selector switch while the motor is running. **Risk of damage!**

**Drilling with hammering action (hammer drilling)**

- ▶ Set the function selector switch to: .

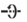

**Chisel positioning 7****⚠ CAUTION**

**Risk of injury!** Loss of control over the chisel direction.

- ▶ Do not operate the tool when the selector switch is set to "Chisel positioning". Turn the function selector switch until it engages in the "Chiseling" position.



The chisel can be set to 24 different positions (in 15° increments). This ensures that flat chisels and shaped chisels can always be set to the optimum working position.

1. Set the function selector switch to: .
2. Turn the chisel to the desired position.
3. Set the function selector switch to:  until it engages.
  - ▶ The product is ready for use.

**Chiseling**

- ▶ Set the function selector switch to: .

**Switch sustained operation on and off 8**

When chiseling, the control switch can be locked in the "on" position.

1. Push the lockbutton for continuous chiseling operation forward.
2. Press the on/off switch.
3. Then press the control switch all the way down.
  - ▶ The product then runs in sustained operating mode.
4. Push the lockbutton for continuous chiseling operation back.
  - ▶ The product switches off.

**Care and maintenance****⚠ WARNING**

**Risk of injury with battery inserted!**

- ▶ Always remove the battery before carrying out care and maintenance tasks!

**Care of the product**

- Carefully remove stubborn dirt.
- Carefully clean the air vents, if present, with a dry, soft brush.
- Use only a slightly damp cloth to clean the housing.



- Use a dry, clean cloth to clean the contacts of the product.

#### Care of the Li-ion batteries

- Never use a battery with clogged air vents. Clean the air vents carefully using a dry, soft brush.
- Avoid unnecessary exposure of the battery to dust and dirt. Never expose the battery to high levels of moisture (e.g. by being dipped in water or left in the rain).  
If a battery has been soaked by moisture, treat it as a damaged battery. Isolate it in a non-flammable container and consult **Hilti Service**.
- Keep the battery free of extraneous oil and grease. Do not permit dust or dirt to accumulate unnecessarily on the battery. Clean the battery with a dry, soft brush or a clean, dry cloth.  
Do not touch the contacts of the battery and do not remove the factory-applied grease from the contacts.
- Use only a slightly damp cloth to clean the housing.

#### Maintenance

##### WARNING

**Danger of electric shock!** Improper repairs to electrical components may lead to serious injuries including burns.

- ▶ Repairs to the electrical section of the tool or appliance may be carried out only by trained electrical specialists.
- Check all visible parts and controls for signs of damage at regular intervals and make sure that they all function correctly.
- Do not use the product if signs of damage are found or if parts malfunction. Immediately have the product repaired by **Hilti Service**.
- After cleaning and maintenance, install all guards and protective devices and check that they are in full working order.

To help ensure safe and reliable operation, use only genuine Hilti spare parts, consumables and accessories. Spare parts, consumables and accessories approved by **Hilti** for use with your product can be found at your **Hilti Store** or online at: **www.hilti.group**

#### Transport and storage

##### Transport of cordless power tools and batteries

##### CAUTION

##### Accidental starting during transport !

- ▶ Always transport your products with the batteries removed!
- ▶ Remove the battery/batteries.
- ▶ Never transport batteries loose and unprotected. During transport, batteries should be protected from excessive shock and vibration and isolated from any conductive materials or other batteries that may come in contact with the terminals and cause a short circuit. **Comply with the locally applicable regulations for transporting batteries.**
- ▶ Do not send batteries through the mail. Consult your shipper for instructions on how to ship undamaged batteries.
- ▶ Prior to each use and before and after prolonged transport, check the product and the batteries for damage.

##### Storage of cordless power tools and batteries

##### WARNING

##### Accidental damage caused by defective or leaking batteries !

- ▶ Always store your products with the batteries removed!
- ▶ Store the product and the batteries in a cool and dry place. Comply with the temperature limits stated in the technical data. 6
- ▶ Do not store batteries on the charger. Always remove the battery from the charger when the charging operation has completed.
- ▶ Never leave batteries in direct sunlight, on sources of heat, or behind glass.
- ▶ Store the product and batteries where they cannot be accessed by children or unauthorized persons.
- ▶ Prior to each use and before and after prolonged storage, check the product and the batteries for damage.

#### Troubleshooting

If a problem occurs, always observe the status indicator of the battery. See the section headed **Status indicators of the Li-ion battery** 5.

If the trouble you are experiencing is not listed in this table or you are unable to rectify the problem by yourself, contact **Hilti Service**.

Trouble or fault	Possible cause	Action to be taken
No hammering action.	The product is too cool.	▶ Bring the product into contact with the working surface, switch it on and allow it to idle. If necessary, repeat the procedure until the hammering mechanism begins to operate.
The battery runs down more quickly than usual.	Battery condition is not optimal.	▶ Call up the battery's state of health. Section headed "Status indicators of the Li-ion battery"  5.
The battery does not engage with an audible click.	The retaining lugs on the battery are dirty.	▶ Clean the retaining lug and refit the battery.
No response from the LEDs on the battery.	Battery defective.	▶ Contact <b>Hilti Service</b> .
The drive spindle doesn't rotate.	The permissible operating temperature of the product's electronics has been exceeded.	Green ON/OFF indicator flashes. ▶ Allow the product to cool down.



Trouble or fault	Possible cause	Action to be taken
The drive spindle doesn't rotate.	The battery is not fully inserted.	▶ Push the battery in until it engages with an audible click.
Product switches off automatically.	The overload protection system is active.	Green ON/OFF indicator flashes. ▶ Release the control switch. Allow the product to cool down. Press the control switch again. Reduce the load on the tool.
Product switches off if drill bit jams.	The electronic safety shut-down has tripped to prevent further jamming.	▶ Release the drill bit.
Product or battery gets very hot.	Electrical fault.	▶ Immediately switch off the product. Remove the battery and keep it under observation. Allow it to cool down. Contact <b>Hilti</b> service.
	The product is overloaded (application limit exceeded).	▶ Select a product that is suitable for the intended purpose.
No response from the LEDs on the battery.	Battery defective.	▶ Contact <b>Hilti</b> Service.
Product does not develop full power.	The control switch is not fully pressed.	▶ Press the control switch as far as it will go.
	The half-power button is engaged.	▶ Press the "half-power" button.
Drill bit does not rotate.	The function selector switch is not engaged or is in the "Chiseling" position <b>T</b> or the "Chisel positioning" position $\rightarrow$ .	▶ With the motor at a standstill, set the function selector switch to the "Hammer drilling" <b>HT</b> position.
The insert tool cannot be released from the chuck.	Tool holder (SDS-max) not pulled back fully.	▶ Pull the tool lock back as far as it will go and remove the accessory tool.
	The side handle is not fitted correctly.	▶ Disengage the side handle and refit it correctly so that the clamping band and side handle engage in the recess.
Product does not start.	The electronic restart interlock is activated after an interruption in the electric supply.	▶ Switch the product off and then on again.
Service indicator shows.	Service limit time reached.	▶ Have the product serviced by <b>Hilti</b> Service.
Service indicator flashes.	The product is faulty.	▶ Have the product repaired by <b>Hilti</b> Service.
The ON/OFF indicator flashes.	Product momentarily overloaded.	▶ Release the control switch and then press it again.
	Protection against overheating.	▶ Allow the product to cool down and clean the air vents.

## Disposal



### WARNING

**Risk of injury due to incorrect disposal!** Health hazards due to escaping gases or liquids.

- ▶ DO NOT send batteries through the mail!
- ▶ Cover the terminals with a non-conductive material (such as electrical tape) to prevent short circuiting.
- ▶ Dispose of your battery out of the reach of children.
- ▶ Dispose of the battery at your **Hilti Store**, or consult your local governmental garbage disposal or public health and safety resources for disposal instructions.

Most of the materials from which **Hilti** products are manufactured can be recycled. The materials must be correctly separated before they can be recycled. In many countries, your old tools, machines or appliances can be returned to **Hilti** for recycling. Ask **Hilti** Service or your Hilti sales representative for further information.



- ▶ Do not dispose of power tools, electronic equipment or batteries as household waste!

## Manufacturer's warranty

- ▶ Please contact your local **Hilti** representative if you have questions about the warranty conditions.

## Further information

For more information on operation, technology, environment, RoHS declaration (markets in China and Taiwan only) and recycling, follow this link: [qr.hilti.com/manual/?id=2392575](http://qr.hilti.com/manual/?id=2392575)

This link is also to be found in these operating instructions in the form of a QR code, indicated by the symbol



## fr Notice d'utilisation originale

### Indications relatives au mode d'emploi

#### À propos de ce mode d'emploi

- **Avertissement !** Il convient de lire et comprendre toute la documentation jointe, y compris, sans s'y limiter, les instructions, avertissements de sécurité, illustration et spécifications fournies avec le présent produit. Prenez connaissance de toutes les instructions, avertissements de sécurité, illustrations, spécifications et fonctions du produit avant de l'utiliser. Tout manquement à cette obligation peut entraîner un choc électrique, un incendie, et/ou des blessures graves. Conservez l'ensemble des avertissements et instructions pour consultation ultérieure.
- Les produits sont destinés aux professionnels et ne doivent être utilisés, entretenus et réparés que par un personnel autorisé et formé. Ce personnel doit être spécialement instruit quant aux dangers inhérents à l'utilisation de l'appareil. Le produit et ses accessoires peuvent s'avérer dangereux s'ils sont utilisés de manière incorrecte par un personnel non qualifié ou de manière non conforme à l'usage prévu.
- La documentation ci-jointe correspond à l'état actuel de la technique à la date d'impression. Veuillez toujours consulter la dernière version sur la page du produit sur le site Internet de Hilti. Pour ce faire, suivez le lien ou scannez le code QR dans la documentation, indiqué par le symbole .
- Ne pas prêter ou céder le produit à un autre utilisateur sans lui fournir le présent mode d'emploi.

#### Explication des symboles

##### Avertissements

Les avertissements attirent l'attention sur des dangers liés à l'utilisation du produit. Les termes de signalisation suivants sont utilisés :



**DANGER**

##### DANGER !

- Pour un danger imminent qui peut entraîner de graves blessures corporelles ou la mort.



**AVERTISSEMENT**

##### AVERTISSEMENT !

- Pour un danger potentiel qui peut entraîner de graves blessures corporelles ou la mort.



**ATTENTION**

##### ATTENTION !

- Pour une situation potentiellement dangereuse pouvant entraîner des blessures corporelles ou des dégâts matériels.

#### Symboles dans le manuel d'utilisation

Les symboles suivants sont utilisés dans le présent manuel d'utilisation :

	Respecter le manuel d'utilisation
	Pour des conseils d'utilisation et autres informations utiles
	Référence croisée
	Maniement des matériaux recyclables
	Ne pas jeter les appareils électriques et les accus dans les ordures ménagères
	Hilti Accu li-ions
	Hilti Chargeur

#### Symboles dans les illustrations

Les symboles suivants sont utilisés dans les illustrations :

	Ces chiffres renvoient à l'illustration correspondante au début du présent manuel d'utilisation.
	La numérotation dans les illustrations indique les étapes de travail importantes ou les composants importants pour les étapes de travail. Dans le texte, ces étapes de travail ou composants sont mis en évidence avec les numéros correspondants, par ex. (3).
	Les numéros de position sont utilisés dans l'illustration <b>Vue d'ensemble</b> et renvoient aux numéros des légendes dans la section <b>Vue d'ensemble du produit</b> .
	Ce signe doit inviter à manier le produit en faisant particulièrement attention.



## Symboles spécifiques au produit

### Symboles sur le produit

Les symboles suivants peuvent être utilisés sur le produit :

	Perçage avec percussion
	Burinage
	Positionnement du burin
	Classe de protection II (double isolation)
	Diamètre
	Vitesse nominale à vide
	Tours par minute
	Courant continu
	Le produit prend en charge la technologie NFC qui est compatible avec les plates-formes iOS et Android.
	Accu Li-Ion
	Ne jamais utiliser l'accu comme outil de percussion.
	Ne pas laisser tomber l'accu. Ne pas utiliser d'accu ayant subi un choc ou d'autres dommages.
	Série de type d'accu Li-Ion Hilti utilisée. Observer les instructions au chapitre <b>Utilisation conforme à l'usage prévu</b> .
	Si présent sur le produit, c'est que le produit a été certifié conformément aux normes en vigueur par cet organisme de certification pour le marché nord-américain et canadien.

## Sécurité

### Indications générales de sécurité pour les appareils électriques

**AVERTISSEMENT Lire toutes les consignes de sécurité et instructions, illustrations et caractéristiques techniques, qui accompagnent cet outil électroportatif.** Tout manquement à l'observation des instructions suivantes risque de provoquer une électrocution, un incendie et/ou de graves blessures.

**Les consignes de sécurité et instructions doivent être intégralement conservées pour les utilisations futures.**

La notion d'« outil électroportatif » mentionnée dans les consignes de sécurité se rapporte à des outils électriques raccordés au secteur (avec câble d'alimentation) et à des outils électriques sur accu (sans câble d'alimentation).

### Sécurité sur le lieu de travail

- ▶ **Conserver la zone de travail propre et bien éclairée.** Un lieu de travail en désordre ou mal éclairé augmente le risque d'accidents.
- ▶ **Ne pas faire fonctionner les outils électriques en atmosphère explosive et où se trouvent des liquides, des gaz ou poussières inflammables.** Les outils électriques produisent des étincelles qui peuvent enflammer les poussières ou les fumées.
- ▶ **Maintenir les enfants et les personnes présentes à l'écart pendant l'utilisation de l'outil électroportatif.** En cas d'inattention il y a un risque de perdre le contrôle de l'appareil.

### Sécurité relative au système électrique

- ▶ **La fiche de secteur de l'outil électroportatif doit être adaptée à la prise de courant. Ne jamais modifier la fiche de quelque façon que ce soit. Ne pas utiliser d'adaptateurs avec des outils électriques à branchement de terre.** Des fiches non modifiées et des prises de courant adaptées réduiront le risque de choc électrique.
- ▶ **Éviter le contact physique avec des surfaces mises à la terre tels que tuyaux, radiateurs, cuisinières et réfrigérateurs.** Il y a un risque élevé de choc électrique au cas où votre corps serait relié à la terre.
- ▶ **Ne pas exposer les outils électroportatifs à la pluie ou à l'humidité.** La pénétration d'eau à l'intérieur d'un outil électroportatif augmentera le risque d'un choc électrique.
- ▶ **Ne jamais utiliser le câble de raccordement à d'autres fins que celles prévues, telles que pour porter, accrocher ou débrancher l'outil électroportatif de la prise de courant. Maintenir le câble de raccordement à l'écart de la chaleur, des parties grasses, des bords tranchants ou des parties en mouvement.** Des câbles de raccordement endommagés ou emmêlés augmentent le risque de choc électrique.
- ▶ **Si l'outil électroportatif est utilisé à l'extérieur, utiliser uniquement des câbles de rallonge homologués pour les applications extérieures.** L'utilisation d'un câble de rallonge homologué pour les applications extérieures réduit le risque d'un choc électrique.
- ▶ **Si l'utilisation de l'outil électrique dans un environnement humide ne peut pas être évitée, utiliser un interrupteur de protection contre les courants de court-circuit.** L'utilisation d'un tel interrupteur de protection réduit le risque d'une décharge électrique.





## Sécurité des personnes

- ▶ **Rester vigilant, surveiller ce que l'on fait. Faire preuve de bon sens en utilisant l'outil électroportatif. Ne pas utiliser l'outil électroportatif en étant fatigué ou sous l'emprise de l'alcool, de drogues ou de médicaments.** Un moment d'inattention lors de l'utilisation de l'outil électroportatif peut entraîner des blessures graves.
- ▶ **Utiliser un équipement de protection personnel et toujours porter une protection pour les yeux.** Les équipements de protection personnels tels que masque antipoussière, chaussures de sécurité antidérapantes, casque de protection ou protection acoustique suivant l'utilisation de l'outil électroportatif, réduiront le risque de blessures des personnes.
- ▶ **Éviter une mise en service par mégarde. S'assurer que l'outil électroportatif est arrêté avant de le brancher à la source de courant et/ou à l'accu, de le prendre ou de le porter.** Le fait de porter l'outil électroportatif avec le doigt sur l'interrupteur ou de brancher l'appareil sur la source de courant lorsque l'interrupteur est en position de fonctionnement peut entraîner des accidents.
- ▶ **Retirer tout outil de réglage ou tout clé avant de mettre l'outil électroportatif en fonctionnement.** Une clé ou un outil se trouvant sur une partie en rotation peut causer des blessures.
- ▶ **Adopter une bonne posture. Veiller à toujours garder une position stable et équilibrée.** Cela permet un meilleur contrôle de l'outil électroportatif dans des situations inattendues.
- ▶ **S'habiller de manière adaptée. Ne pas porter de vêtements amples ni de bijoux. Garder les cheveux, les vêtements et les gants à distance des parties en mouvement.** Des vêtements amples, des bijoux ou des cheveux longs peuvent être happés par des parties en mouvement.
- ▶ **Si des dispositifs servant à aspirer ou à recueillir les poussières doivent être utilisés, s'assurer qu'ils sont effectivement raccordés et correctement utilisés.** L'utilisation d'un dispositif d'aspiration de la poussière peut réduire les risques dus aux poussières.
- ▶ **Ne pas sous-estimer les mesures de sécurité à prendre et ne pas ignorer sciemment les règles de sécurité applicables aux outils électriques, même si l'on est utilisateur chevronné après de fréquentes utilisations de l'outil électroportatif.** Un manque d'attention peut conduire à de graves blessures en quelques fractions de seconde.

## Utilisation et maniement de l'outil électroportatif

- ▶ **Ne pas forcer l'appareil. Utiliser l'outil électroportatif adapté au travail à effectuer.** Un outil électroportatif approprié réalisera mieux le travail et de manière plus sûre au régime pour lequel il a été conçu.
- ▶ **Ne pas utiliser d'outil électroportatif dont l'interrupteur est défectueux.** Tout outil électroportatif qui ne peut plus être mis en ou hors fonctionnement est dangereux et doit être réparé.
- ▶ **Débrancher la fiche de la prise de courant et/ou l'accu amovible avant d'effectuer des réglages sur l'appareil, de changer les accessoires, ou de ranger l'appareil.** Cette mesure de précaution empêche une mise en fonctionnement par mégarde de l'outil électroportatif.
- ▶ **Conserver les outils électroportatifs non utilisés hors de portée des enfants. Ne permettre l'utilisation de l'appareil à aucune personne qui ne soit pas familiarisée avec celui-ci ou qui n'a pas lu ces instructions.** Les outils électroportatifs sont dangereux lorsqu'ils sont entre les mains de personnes non initiées.
- ▶ **Prendre soin des outils électroportatifs et des accessoires. Vérifier que les parties en mouvement fonctionnent correctement et qu'elles ne sont pas coincées, et contrôler si des parties sont cassées ou endommagées de sorte que le bon fonctionnement de l'outil électroportatif s'en trouve entravé. Faire réparer les parties endommagées avant d'utiliser l'appareil.** De nombreux accidents sont dus à des outils électroportatifs mal entretenus.
- ▶ **Garder les outils de coupe affûtés et propres.** Des outils destinés à couper correctement entretenus avec des arêtes de coupe tranchantes sont moins susceptibles de bloquer et sont plus faciles à contrôler.
- ▶ **L'outil électroportatif, les accessoires, les outils amovibles, etc. doivent être utilisés conformément à ces instructions. Tenir également compte des conditions de travail et du travail à réaliser.** L'utilisation des outils électroportatifs à d'autres fins que celles prévues peut entraîner des situations dangereuses.
- ▶ **Veiller à ce que les poignées et surfaces de préhension soient toujours être sèches, propres et exemptes de traces de graisse ou d'huile.** Avec des poignées et surfaces de préhension glissantes, la sécurité et le contrôle de l'outil électroportatif ne peuvent être assurés dans des situations inopinées.

## Utilisation et maniement de l'outil sur accu

- ▶ **Ne charger les accus que dans des chargeurs recommandés par le fabricant.** Si un chargeur approprié à un type spécifique d'accu est utilisé avec des accus non recommandés pour celui-ci, il y a risque d'incendie.
- ▶ **Dans les outils électroportatifs, utiliser uniquement les accus spécialement prévus pour ceux-ci.** L'utilisation de tout autre accu peut entraîner des blessures et des risques d'incendie.
- ▶ **Tenir l'accu non utilisé à l'écart de tous objets métalliques tels qu'agrafes, pièces de monnaie, clés, clous, vis ou autres, étant donné qu'un pontage peut provoquer un court-circuit.** Un court-circuit entre les contacts d'accu peut provoquer des brûlures ou un incendie.
- ▶ **En cas d'utilisation abusive, du liquide peut sortir de l'accu. Éviter tout contact avec ce liquide. En cas de contact par mégarde, rincer soigneusement avec de l'eau. Au cas où le liquide rentrerait dans les yeux, consulter en plus un médecin.** Le liquide qui sort de l'accu peut entraîner des irritations de la peau ou causer des brûlures.
- ▶ **Ne pas utiliser d'accu endommagé ou modifié.** Des accus endommagés ou modifiés peuvent avoir un comportement imprévisible et provoquer un incendie, une explosion ou engendrer un risque de blessures.
- ▶ **Ne jamais exposer l'accu au feu ou à des températures trop élevées.** Le feu ou des températures supérieures à 130 °C (265 °F) peuvent provoquer une explosion.
- ▶ **Suivre toutes les instructions de charge et ne jamais charger l'accu ou l'outil sur accu hors de la plage de températures spécifiée dans le manuel d'utilisation.** Une charge inappropriée ou hors de la plage de températures spécifiée risque d'endommager l'accu et accroître le risque d'incendie.

## Service

- ▶ **L'outil électroportatif doit uniquement être réparé par un personnel qualifié et seulement avec des pièces de rechange d'origine.** Ceci permet d'assurer la sécurité de l'appareil.
- ▶ **Ne jamais entretenir d'accus endommagés.** Toutes les opérations d'entretien sur des accus doivent exclusivement être réalisées par le fabricant ou un prestataire de service client agréé.



## Indications générales de sécurité applicables aux burineurs

### Consignes de sécurité pour tous les travaux

- ▶ **Porter un casque antibruit.** Le bruit peut entraîner des pertes auditives.
- ▶ **Utiliser la poignée supplémentaire livrée avec l'appareil.** La perte de contrôle peut entraîner des blessures.
- ▶ **Tenir l'appareil par les surfaces isolées des poignées lors des travaux pendant lesquels l'outil utilisé risque de toucher des câbles électriques cachés.** Le contact avec un câble sous tension risque de pendre les parties métalliques de l'appareil sous tension et de provoquer une décharge électrique.

### Consignes de sécurité lors de l'utilisation de la mèche longue

- ▶ **Toujours commencer l'opération de perçage à vitesse réduite et alors que la mèche est en contact avec la pièce travaillée.** En cas de vitesse de rotation plus élevée, la mèche risque de se déformer légèrement si elle peut tourner librement sans contact avec la pièce travaillée et entraîner des blessures.
- ▶ **Ne pas exercer de pression excessive et seulement dans le sens longitudinal.** Les mèches peuvent se tordre et donc se casser, ou il peut y avoir perte de contrôle de l'appareil ce qui entraîne un risque de blessures.

### Consignes de sécurité supplémentaires spécifiques au perforateur-burineur

#### Sécurité des personnes

- ▶ Utiliser le produit et les accessoires uniquement s'ils sont en parfait état.
- ▶ Ne jamais entreprendre de manipulation ni de modification sur le produit ou les accessoires.
- ▶ Risque de blessures dues à la chute d'outils et/ou d'accessoires. Avant de commencer à travailler, contrôler si l'accu et l'accessoire monté sont solidement fixés.
- ▶ Gardez toujours les ouïes d'aération dégagées. Risque de brûlures si les ouïes d'aération sont couvertes !
- ▶ Lors de travaux d'ajourage, protéger l'espace du côté opposé aux travaux. Des morceaux de matériaux risquent d'être éjectés et / ou de tomber, et de blesser d'autres personnes.
- ▶ Toujours tenir le produit des deux mains par les poignées prévues à cet effet. Tenir les poignées toujours sèches et propres.
- ▶ Toujours avoir le pied ferme lors de l'utilisation du produit. Avant de commencer à travailler, s'assurer d'avoir l'équilibre et le contrôle.
- ▶ Éviter de toucher des pièces en rotation – Risque de blessures !
- ▶ Il y a risque de projection d'éclats de matériau lors de l'usinage. Les éclats de matériau peuvent entraîner des blessures corporelles et aux yeux. Pendant l'utilisation du produit, porter des lunettes de protection, un casque de protection et un casque antibruit. Si aucun dispositif d'aspiration des poussières n'est utilisé, porter en outre un masque respiratoire léger.
- ▶ Porter des gants de protection lors des changements d'outil et lors de travaux de burinage. Risque de blessures par coupure et de brûlures au contact avec l'outil amovible.
- ▶ La poussière générée par le meulage, le ponçage, le tronçonnage et le forage peut contenir des produits chimiques dangereux. Par exemple : plomb ou peinture à base de plomb ; brique, béton et autres produits de maçonnerie, pierre naturelle et autres produits contenant des silicates ; certains bois, tels que le chêne, le hêtre et le bois traité chimiquement ; amiante ou matériaux contenant de l'amiante. Déterminer l'exposition de l'opérateur et personnes se trouvant dans l'entourage en fonction de la classe de danger des matériaux traités. Prendre les mesures nécessaires pour maintenir l'exposition à un niveau sûr, par exemple en utilisant un système de collecte des poussières ou en portant une protection respiratoire appropriée. Mesures générales visant à réduire l'exposition :
  - ▶ Travailler dans un endroit bien ventilé
  - ▶ Éviter le contact prolongé avec la poussière
  - ▶ Faire en sorte que la poussière soit dirigée loin du visage et du corps
  - ▶ Porter des vêtements de protection et laver les zones exposées à l'eau et au savon
- ▶ Faire régulièrement des pauses et des exercices pour favoriser l'irrigation sanguine dans les doigts. En cas de travaux prolongés, les fortes vibrations peuvent perturber la circulation dans les vaisseaux sanguins ou le système nerveux dans les doigts, les mains ou le poignet.
- ▶ Ne pas travailler à partir d'une échelle.

#### Sécurité relative au système électrique

- ▶ Avant d'entamer le travail, vérifier qu'il n'y a pas de câbles ou gaines électriques, tuyaux de gaz ou d'eau cachés dans la zone d'intervention. Les parties métalliques externes du produit peuvent provoquer un choc électrique ou une explosion si vous endommagez une ligne électrique, une conduite de gaz ou une conduite d'eau.

#### Utilisation et emploi soigneux de l'outil électroportatif

- ▶ Arrêter immédiatement l'outil électroportatif si l'outil se bloque. Le produit peut dévier latéralement.
- ▶ Ne mettre le produit en marche qu'après l'avoir mis en position de travail.
- ▶ Lors du burinage de plafonds, de murs et de planchers, veiller à conserver une position sûre et stable. Une percée soudaine peut déséquilibrer l'opérateur !
- ▶ Attendre l'arrêt complet du produit avant de le déposer.

#### Utilisation et emploi soigneux des batteries

- ▶ **Respecter les consignes de sécurité suivantes relatives à la manipulation et à l'utilisation des accus Li-Ion.** Le non-respect de telles mesures risque de provoquer des irritations cutanées, des blessures graves corrosives, des brûlures chimiques, des incendies et/ou des explosions.
- ▶ Utiliser les accus uniquement dans un état techniquement impeccable.
- ▶ Traiter les accus avec soin pour éviter les endommagements et les fuites de liquides très nocifs pour la santé !
- ▶ Les accus ne doivent en aucun cas être modifiés ou manipulés !
- ▶ Il est interdit de démonter, écraser, chauffer les accus à une température supérieure à 80 °C (176 °F) ou de les jeter au feu.
- ▶ Ne pas utiliser ni recharger d'accus ayant subi un choc ou ayant été endommagés de quel-qu'autre manière. Vérifier régulièrement l'absence de traces d'endommagement sur les accus.
- ▶ Ne jamais utiliser d'accus recyclés ou réparés.
- ▶ Ne jamais utiliser l'accu ni aucun outil électrique sans fil comme outil de percussion.



- ▶ Ne jamais exposer les accus à un rayonnement direct du soleil, des températures élevées, des étincelles ou des flammes nues. Il y a alors risque d'explosions.
- ▶ Ne jamais toucher les pôles avec les doigts, des outils, des bijoux ou tout autre objet métallique. Cela peut endommager l'accu et entraîner des dommages matériels et des blessures.
- ▶ Maintenir les accus à l'abri de la pluie, de l'humidité et des liquides. Toute pénétration d'humidité risque de provoquer un court-circuit, des chocs électriques, des brûlures, des incendies ou des explosions.
- ▶ Utiliser exclusivement les chargeurs et outils électriques prévus pour le type d'accu considéré. Respecter à ce sujet les indications du mode d'emploi correspondant.
- ▶ Ne pas utiliser ni stocker l'accu dans des environnements présentant des risques d'explosion.
- ▶ Si l'accu est trop chaud pour être touché, il est probablement défectueux. Placer l'accu dans un endroit bien visible, non inflammable et suffisamment éloigné de matériaux inflammables. Laisser l'accu refroidir. Si, après une heure, l'accu est toujours trop chaud pour être saisi, c'est qu'il est défectueux. Contacter le service après-vente **Hilti** ou consulter le document « Instructions de sécurité et d'utilisation pour les accus Li-Ion **Hilti** ».

Respecter les directives spécifiques pour le transport, le stockage et l'utilisation d'accus Li-Ion.  
Lire les remarques relatives à la sécurité et à l'utilisation des accus Li-Ion **Hilti** que vous trouverez en scannant le code QR à la fin de ce mode d'emploi.

## Description

### Vue d'ensemble du produit

- |  |                                    |
|--|------------------------------------|
| Porte-outil (SDS-max)  | Bouton de déverrouillage de l'accu |
| Butée de profondeur - Réglage (accessoire)                   | Indicateur d'état - Accu           |
| Butée de profondeur (accessoire)                             | Poignée latérale                   |
| Sélecteur de fonction  | Interrupteur Marche / Arrêt        |
| Bouton de blocage pour le fonctionnement en continu du burin | Touche de demi-puissance           |
| Variateur électronique de vitesse                            | Indicateur de demi-puissance       |
| Accu   | Indicateur de maintenance          |
|  | Indicateur Marche / Arrêt          |

### Utilisation conforme à l'usage prévu

Le produit décrit est un perforateur-burineur sans fil SDS-max équipé d'un mécanisme de frappe électropneumatique. Il est destiné aux travaux de perçage dans le béton, la maçonnerie, le métal et le bois. Le produit peut également être utilisé pour les travaux de burinage légers et moyens sur maçonnerie et pour les retouches sur béton.

- Pour ce produit, utiliser exclusivement des accus Li-Ion **Hilti** Nuron de la série B 22. Pour une puissance optimale, **Hilti** recommande pour ce produit les accus indiqués dans le tableau à la fin de ce mode d'emploi.
- Pour ces accus, utiliser exclusivement des chargeurs **Hilti** des séries indiquées dans le tableau à la fin de ce mode d'emploi.

### Ancre d'étalement

Le produit est conçu pour le montage d'ancres d'étalement sélectionnés. Utiliser uniquement des outils de pose appropriés !  
Pour plus d'informations, s'adresser au S.A.V. **Hilti**.

### ATC

Le produit est équipé de l'arrêt d'urgence électronique ATC (Active Torque Control).

Si l'outil amovible bloque ou se coince, le produit se tourne soudain de manière incontrôlée dans le sens inverse. ATC détecte ce mouvement de pivotement soudain du produit et arrête immédiatement l'appareil.

Pour le bon fonctionnement, le produit doit pouvoir se tourner.  
Après activation de l'arrêt d'urgence, éteindre et rallumer le produit.

### Active Vibration Reduction

Ce produit est équipé d'un système Active Vibration Reduction (AVR) qui réduit sensiblement les vibrations.

### Indicateur de maintenance

Le produit est équipé d'un indicateur de maintenance avec témoin lumineux.

### MMI

État	Signification
L'indicateur de maintenance rouge est allumé.	La durée de fonctionnement pour une maintenance est atteinte.
L'indicateur de maintenance rouge clignote.	Faire réparer le produit par le S.A.V. <b>Hilti</b> .
L'indicateur vert Marche / Arrêt est allumé.	Le produit est mis en marche
L'indicateur vert Marche / Arrêt clignote.	Le produit est mis sur arrêt à cause d'une défaillance temporaire.
L'indicateur vert Marche / Arrêt est éteint.	Le produit est mis sur arrêt.
L'indicateur jaune de Mi-puissance est allumé.	Le produit fonctionne à mi-puissance ou l'accu est trop faible pour la pleine puissance.
L'indicateur jaune de Mi-puissance est éteint.	Le produit fonctionne à pleine puissance.



## Éléments livrés

Marteau perforateur SDS-max, poignée latérale, mode d'emploi.

D'autres produits système pour votre produit peuvent être trouvés dans votre **Hilti Store** ou à l'adresse : [www.hilti.group](http://www.hilti.group)

## Affichages des accus Li-Ion

Les accus Li-Ion Hilti Nuron peuvent afficher l'état de charge, les messages d'erreur et l'état de l'accu.

## Affichages de l'état de charge et des messages d'erreur



### AVERTISSEMENT

#### Risque de blessures en cas de chute de l'accu !

- ▶ Lorsque l'accu est inséré et après avoir appuyé sur la touche de déverrouillage, s'assurer que l'accu est correctement réenclenché dans le produit utilisé.

Pour consulter un des affichages suivants, appuyer brièvement sur la touche de déverrouillage de l'accu.

L'état de charge et les dysfonctionnements possibles sont affichés en permanence tant que le produit raccordé est allumé.

État	Signification
Quatre (4) DEL sont allumées en vert en continu	État de charge : de 100 % à 71 %
Trois (3) DEL sont allumées en vert en continu	État de charge : de 70 % à 51 %
Deux (2) DEL sont allumées en vert en continu	État de charge : de 50 % à 26 %
Une (1) DEL est allumée en vert en continu	État de charge : de 25 % à 10 %
Une (1) DEL clignote lentement en vert	État de charge : < 10 %
Une (1) DEL clignote rapidement en vert	L'accu Li-Ion est entièrement déchargé. Charger l'accu. Si la DEL continue de clignoter rapidement après la charge de l'accu, s'adresser au S.A.V. <b>Hilti</b> .
Une (1) DEL clignote rapidement en jaune	L'accu Li-Ion ou le produit connecté est surchargé, trop chaud, trop froid ou il y a un autre défaut. Amener le produit et l'accu à la température de travail recommandée et ne pas surcharger le produit pendant son utilisation. Si le message ne disparaît pas, s'adresser au S.A.V. <b>Hilti</b> .
Une (1) DEL est allumée en jaune	L'accu Li-Ion et le produit connecté ne sont pas compatibles. Merci de s'adresser au S.A.V. <b>Hilti</b> .
Une (1) DEL clignote rapidement en rouge	L'accu Li-Ion est verrouillé et ne peut plus être utilisé. Merci de s'adresser au S.A.V. <b>Hilti</b> .

## Affichages de l'état de l'accu

Pour consulter l'état de l'accu, maintenir la touche de déverrouillage enfoncée pendant plus de trois secondes. Le système ne détecte aucun dysfonctionnement potentiel de la batterie dû à une utilisation incorrecte, par ex. chute, piqûres, dommages externes dus à la chaleur, etc.

État	Signification
Toutes les DEL forment un chenillard, puis une (1) DEL est allumée en vert en continu.	L'accu peut continuer à être utilisé.
Toutes les DEL forment un chenillard, puis une (1) DEL clignote rapidement en jaune.	L'interrogation de l'état de l'accu n'a pas pu être terminée. Répéter la procédure ou s'adresser au S.A.V. <b>Hilti</b> .
Toutes les DEL forment un chenillard, puis une (1) DEL est allumée en rouge en continu.	Si un produit raccordé peut continuer à être utilisé, la capacité résiduelle de l'accu est inférieure à 50 %. Si un produit raccordé ne peut plus être utilisé, l'accu est arrivé à la fin de sa durée de vie et doit être remplacé. Merci de s'adresser au S.A.V. <b>Hilti</b> .

## Caractéristiques techniques

### Caractéristiques techniques

	TE 70-22
Génération de produit	04
Tension de référence	21,6 V
Poids sans accu	8,9 kg (19,6 lb)
Énergie libérée par coup	14,5 J
Plage de perçage dans le béton/la brique (perçage avec percussion)	1/2 in ... 2 3/16 in
Température de service en cours de service	-17 °C ... 60 °C (1 °F ... 140 °F)
Température de stockage	-20 °C ... 70 °C (-4 °F ... 158 °F)



## Batterie

Tension nominale de l'accu	21,6 V
Poids de l'accu	Voir à la fin de ce mode d'emploi
Température de service en cours de service	-17 °C ... 60 °C (1 °F ... 140 °F)
Température de stockage	-20 °C ... 40 °C (-4 °F ... 104 °F)
Température de l'accu au début de la charge	-10 °C ... 45 °C (14 °F ... 113 °F)

## Préparatifs

### AVERTISSEMENT

#### Risque de blessures en cas de démarrage inopiné !

- ▶ Avant d'insérer l'accu, s'assurer que le produit correspondant est bien sur arrêt.
- ▶ Retirer le bloc-accu, avant d'effectuer des réglages sur l'appareil ou de changer les accessoires.

Bien respecter les consignes de sécurité et les avertissements de la présente documentation ainsi que celles figurant sur le produit.

#### Recharge de l'accu

1. Avant de commencer la charge, lire le mode d'emploi du chargeur.
2. Veiller à ce que les contacts de l'accu et du chargeur sont propres et secs.
3. Charger l'accu à l'aide d'un chargeur homologué. 15

#### Introduction de l'accu

### AVERTISSEMENT

#### Risque de blessures du fait d'un court-circuit ou de la chute de l'accu !

- ▶ Avant d'insérer l'accu dans l'appareil, s'assurer que les contacts de l'accu et les contacts sur le produit sont exempts de corps étrangers.
- ▶ S'assurer que l'accu s'encliquette toujours correctement.

1. L'accu doit être entièrement chargé avant la première mise en service.
2. Introduire l'accu dans le produit jusqu'à ce qu'il s'enclenche de manière audible.
3. Vérifier que l'accu est bien en place.

#### Retrait de l'accu

1. Appuyer sur la touche de déverrouillage de l'accu.
2. Retirer l'accu hors du produit.

#### Montage de la poignée latérale

### ATTENTION

#### Risque de blessures Perte de contrôle sur le produit.

- ▶ S'assurer que la poignée latérale est bien montée et correctement serrée. Veiller à ce que le collier de serrage soit dans l'écrou prévu à cet effet sur le produit.

### ATTENTION

#### Risque de blessures ! L'action de l'utilisateur peut être entrée du fait d'une butée de profondeur montée non utilisée.

- ▶ Retirer la butée de profondeur du produit.

1. Tourner le dispositif de serrage (collier de serrage) sur la poignée latérale pour desserrer.
2. Pousser le dispositif de serrage (collier de serrage) vers l'avant sur le porte-outil (SDS-max) jusqu'à la rainure prévue à cet effet.
3. Placer la poignée latérale dans la position souhaitée.
4. Tourner le dispositif de serrage (collier de serrage) sur la poignée latérale pour serrer.

#### Montage de la butée de profondeur (en option)

1. Tourner le dispositif de serrage (collier de serrage) sur la poignée latérale pour desserrer.
2. Tourner le pommeau pour détendre le dispositif de fixation (collier de serrage) de la poignée latérale.
3. Faire glisser la butée de profondeur vers l'avant dans les 2 orifices de guidage prévus à cet effet.
4. Tourner le pommeau afin de serrer le dispositif de serrage (collier de serrage) de la poignée latérale.
5. Tourner le dispositif de serrage (collier de serrage) sur la poignée latérale pour serrer.

#### Réglage de la puissance

Après avoir branché l'accu, le produit est toujours réglé sur la pleine puissance.

**Si vous utilisez des accus plus petits que ceux recommandés dans ce mode d'emploi, le produit réduit automatiquement la puissance. Cela empêche une surcharge des accus et augmente la durée de vie.** L'indicateur de "demi-puissance" s'allume. Il est impossible de passer en pleine puissance.

1. Appuyer sur la touche "demi-puissance". Le produit commute sur la demi-puissance.
  - ▶ L'indicateur de "demi-puissance" s'allume.



2. Réappuyer sur la touche "demi-puissance". Le produit passe en pleine puissance.
  - ▶ L'indicateur de "demi-puissance" s'éteint.

#### Sécurité anti-chute

#### AVERTISSEMENT

**Risque de blessures** en cas de chute de l'outil et/ou des accessoires !

- ▶ Utiliser uniquement la longe porte-outil **Hilti** recommandée pour votre produit.
- ▶ Contrôler l'état du point de fixation de la longe porte-outil avant chaque utilisation.



Respecter les directives nationales en vigueur pour les travaux en hauteur.

Comme protection anti-chute pour ce produit, utiliser exclusivement la longe porte-outil **Hilti** #2261971.

- ▶ Fixer la longe porte-outil au produit avec la boucle, comme illustré. Vérifier qu'elle tient bien.
- ▶ Fixer le mousqueton à une structure porteuse. Vérifier que le mousqueton tient bien.



Respecter le mode d'emploi de la longe porte-outil **Hilti**.

#### Mise en place/retrait de l'outil

#### DANGER

**Risque d'incendie** Danger en cas de contact entre l'appareil chaud et des matériaux facilement inflammables.

- ▶ Ne pas poser l'appareil chaud sur des matériaux facilement inflammables.

#### ATTENTION

**Risque de blessures entraînées par l'outil amovible !** L'outil amovible peut être brûlant ou présenter des arêtes vives.

- ▶ Porter des gants de protection pour changer d'outil amovible.



L'utilisation d'une graisse non appropriée peut engendrer des dommages sur le produit. **Utiliser exclusivement de la graisse d'origine de Hilti.**

1. Graisser légèrement l'emmanchement de l'outil amovible.
2. Emmancher l'outil amovible à fond dans le porte-outil (SDS-max) jusqu'à ce qu'il s'encliquette.
3. Une fois mis en place, vérifier que l'outil est bien serré dans le dispositif de verrouillage en tirant dessus.
  - ▶ Le produit est prêt à fonctionner.
4. Retirer le dispositif de verrouillage de l'outil jusqu'à la butée et sortir l'outil amovible.

#### Utilisation

Bien respecter les consignes de sécurité et les avertissements de la présente documentation ainsi que celles figurant sur le produit.

#### Mise en marche

1. Appuyer sur l'interrupteur Marche / Arrêt.
2. Appuyer ensuite sur le variateur électronique de vitesse.

#### Sélecteur de fonction

- ▶ Régler le sélecteur de fonction sur la position de travail souhaitée.
  - ▶ Le sélecteur de fonction ne doit pas être actionné pendant le fonctionnement. **Risque d'endommagement !**

#### Perçage avec percussion

- ▶ Régler le sélecteur de fonction sur :

#### Positionnement du burin

#### ATTENTION

**Risque de blessures !** Perte de contrôle du sens de burinage.

- ▶ Ne pas travailler avec le sélecteur sur la position "Positionnement du burin". Tourner le sélecteur de fonction sur la position "Burinage", jusqu'à ce qu'il s'encliquette.



Le burin peut être positionné dans 24 positions différentes (tous les 15°). Ainsi, que ce soit pour le burinage plat ou profilé, il est toujours possible de travailler dans la position optimale.

1. Régler le sélecteur de fonction sur :
2. Tourner le burin dans la position souhaitée.
3. Régler le sélecteur de fonction sur : , jusqu'à ce qu'il s'enclenche.
  - ▶ Le produit est prêt à fonctionner.

#### Burinage

- ▶ Régler le sélecteur de fonction sur :



## Activation / Désactivation de la marche continue



En mode burinage, le variateur électronique de vitesse peut être bloqué à l'état activé.

1. Pousser le bouton de blocage pour mode burinage continu vers l'avant.
2. Appuyer sur l'interrupteur Marche / Arrêt.
3. Ensuite, appuyer à fond sur le variateur électronique de vitesse.
  - ▶ Le produit fonctionne en continu.
4. Pousser le bouton de blocage pour mode burinage continu vers l'arrière.
  - ▶ Le produit s'arrête.

### Nettoyage et entretien

#### AVERTISSEMENT

#### Risque de blessures lorsque l'accu est inséré !

- ▶ Toujours retirer l'accu avant tous travaux de nettoyage et d'entretien !

#### Entretien du produit

- Éliminer avec précaution les saletés récalcitrantes.
- Le cas échéant, nettoyer soigneusement les ouïes d'aération à l'aide d'une brosse sèche et douce.
- Nettoyer le carter de l'appareil uniquement avec un chiffon légèrement humide.
- Utiliser un chiffon propre et sec pour nettoyer les contacts du produit.

#### Entretien des accus Li-ion

- Ne jamais utiliser un accu dont les ouïes d'aération sont bouchées. Nettoyer soigneusement les ouïes d'aération à l'aide d'une brosse sèche et douce.
- Éviter d'exposer inutilement l'accu à la poussière ou à la saleté. Ne jamais exposer l'accu à une forte humidité (par exemple en l'immergeant dans de l'eau ou en le laissant sous la pluie).  
Si l'accu a été trempé, le traiter comme un accu endommagé. L'isoler dans un récipient ininflammable et s'adresser au S.A.V. Hilti.
- Veiller à ce que l'accu soit toujours exempt de traces de graisse et d'huile étrangères. Ne pas laisser de la poussière ou de la saleté s'accumuler inutilement sur l'accu. Nettoyer l'accu avec une brosse sèche et douce ou un chiffon propre et sec.  
Ne pas toucher les contacts de l'accu et ne pas enlever la graisse appliquée en usine sur les contacts.
- Nettoyer le carter de l'appareil uniquement avec un chiffon légèrement humide.

#### Entretien

#### AVERTISSEMENT

#### Risque d'électrocution ! Des réparations inappropriées sur des composants électriques peuvent entraîner de graves blessures corporelles et brûlures.

- ▶ Toute réparation des pièces électriques ne doit être effectuée que par un électricien qualifié.
- Vérifier régulièrement qu'aucune pièce visible n'est endommagée et que les organes de commande sont parfaitement opérationnels.
- Ne pas utiliser le produit en cas d'endommagements et/ou de dysfonctionnements. Faire immédiatement réparer le produit par le S.A.V. Hilti.
- Après des travaux de nettoyage et d'entretien, vérifier si tous les équipements de protection sont bien en place et fonctionnent parfaitement.



Pour une utilisation en toute sécurité, utiliser uniquement des pièces de rechange, consommables et accessoires d'origine. Vous trouverez les pièces de rechange, consommables et accessoires autorisés par Hilti convenant pour votre produit dans le centre Hilti Store ou sous : [www.hilti.group](http://www.hilti.group)

### Transport et entreposage

#### Transport des outils sans fil et des accus

#### ATTENTION

#### Mise en marche inopinée lors du transport !

- ▶ Toujours retirer les accus avant de transporter les produits !
- ▶ Retirer le ou les accus.
- ▶ Ne jamais transporter les accus en vrac. Pendant le transport, les accus doivent être protégés des vibrations et chocs excessifs, isolés de tout matériau conducteur ou autre accu, pour éviter qu'ils n'entrent en contact avec d'autres pôles de batterie et qu'ils provoquent un court-circuit. **Tenir compte des prescriptions locales pour le transport d'accus.**
- ▶ Ne pas envoyer les accus par la poste. S'adresser à un service d'expédition s'il faut envoyer des accus non endommagés.
- ▶ Contrôler l'état du produit et des accus avant chaque utilisation, ainsi qu'avant et après tout transport prolongé.

#### Stockage des outils sans fil et des accus

#### AVERTISSEMENT

#### Endommagement involontaire du fait d'accus défectueux ou de chute d'accu !

- ▶ Toujours retirer les accus avant de stocker les produits !
- ▶ Stocker si possible le produit et les accus dans un endroit sec et frais. Respecter les valeurs limites de température indiquées dans les caractéristiques techniques. 16



- ▶ Ne pas stocker les accus sur le chargeur. Retirer toujours l'accu du chargeur après la charge.
- ▶ Ne jamais stocker les accus exposés au soleil, sur des sources de chaleur ou derrière des vitres.
- ▶ Stocker le produit et les accus à l'abri des enfants et des personnes non autorisées.
- ▶ Contrôler l'état du produit et des accus avant chaque utilisation, ainsi qu'avant et après tout stockage prolongé.

### Aide au dépannage

En cas de dysfonctionnements, tenir compte de l'indicateur d'état de la batterie. Voir chapitre **Indicateurs de la batterie Li-Ion** 16.  
En cas de défaillances non énumérées dans ce tableau ou auxquelles il n'est pas possible de remédier sans aide, contacter le S.A.V. **Hilti**.

Défaillance	Causes possibles	Solution
Absence de percussion.	Le produit est trop froid.	▶ Poser le produit sur le matériau support et le laisser tourner à vide. Répéter si nécessaire jusqu'à ce que le mécanisme de frappe fonctionne.
L'accu se vide plus rapidement que d'habitude.	L'état de l'accu n'est pas optimal.	▶ Interroger l'état de l'accu. Chapitre "Affichages de l'accu Li-Ion"  16.
L'accu ne s'enclenche pas avec un clic audible.	Ergot d'encliquetage encrassé sur l'accu.	▶ Nettoyer l'ergot d'encliquetage et réinsérer l'accu.
Les LED de la batterie n'indiquent rien.	L'accu est défectueux.	▶ S'adresser au S.A.V. <b>Hilti</b> .
La broche de l'appareil ne tourne pas.	Dépassement de la température de service admissible pour le système électronique du produit.	L'indicateur vert Marche / Arrêt clignote.
	L'accu n'est pas complètement encliqueté.	▶ Laisser l'appareil refroidir.
Le produit s'arrête automatiquement.	Protection électronique contre les surcharges activée.	L'indicateur vert Marche / Arrêt clignote.
		▶ Relâcher le variateur électronique de vitesse. Laisser le produit refroidir. Réactionner le variateur électronique de vitesse. Réduire la charge de l'appareil.
Le produit s'arrête si la mèche est bloquée.	Le dispositif de protection électronique a été activé pour éviter tout autre coincement.	▶ Desserrer la mèche.
Important dégagement de chaleur dans le produit ou l'accu.	Défaut électrique.	▶ Arrêter immédiatement le produit. Retirer l'accu et l'examiner. Le laisser refroidir. Contacter le S.A.V. <b>Hilti</b> .
	Charge excessive du produit (limite d'emploi dépassée).	▶ Utiliser un produit approprié au type de travail envisagé.
Les LED de la batterie n'indiquent rien.	L'accu est défectueux.	▶ S'adresser au S.A.V. <b>Hilti</b> .
Le produit n'atteint pas la pleine puissance.	Le variateur électronique de vitesse n'est pas complètement enfoncé.	▶ Enfoncer le variateur électronique de vitesse jusqu'en butée.
	Touche "demi-puissance" activée.	▶ Appuyer sur la touche "demi-puissance".
La mèche ne tourne pas.	Sélecteur de fonction pas enclenché ou se trouvant sur la position "Burinage"  ou la position "Positionnement du burin" .	▶ Mettre le sélecteur de fonction à l'arrêt sur la position "Perçage avec percussion" .
L'outil ne sort pas du dispositif de verrouillage.	Le porte-outil (SDS-max) n'est pas entièrement retiré.	▶ Retirer le dispositif de verrouillage de l'outil jusqu'à la butée et sortir l'outil.
	La poignée latérale n'est pas montée correctement.	▶ Desserrer la poignée latérale et la monter correctement, afin que le collier de serrage et la poignée latérale s'enclenchent dans l'encoche.
Le produit ne se met pas en marche.	Le dispositif de verrouillage anti-démarrage électronique après une coupure d'alimentation électrique est activé.	▶ Arrêter puis remettre en marche le produit.
L'indicateur de maintenance s'allume.	Échéance d'entretien atteinte.	▶ Confiez l'entretien du produit au service client de <b>Hilti</b> .
L'indicateur de maintenance clignote.	Produit endommagé.	▶ Faire réparer le produit par le S.A.V. <b>Hilti</b> .
L'indicateur Marche / Arrêt clignote.	Surcharge momentanée du produit.	▶ Relâcher le variateur électronique de vitesse et l'actionner à nouveau.
	Protection contre la surchauffe.	▶ Laisser le produit refroidir et nettoyer les ouïes d'aération.





## Recyclage

### AVERTISSEMENT

**Risque de blessures en cas d'élimination incorrecte !** Émanations possibles de gaz et de liquides nocives pour la santé.

- ▶ Ne pas envoyer ni expédier d'accus endommagés !
- ▶ Recouvrir les raccordements avec un matériau non conducteur pour éviter tout court-circuit.
- ▶ Éliminer les accus en veillant à ce qu'ils soient hors de la portée des enfants.
- ▶ Éliminer l'accu en le déposant auprès du **Hilti Store** local ou s'adresser à l'entreprise de collecte des déchets compétente.

Les produits **Hilti** sont fabriqués pour une grande partie en matériaux recyclables. Le recyclage présuppose un tri adéquat des matériaux. **Hilti** reprend les appareils usagés dans de nombreux pays en vue de leur recyclage. Consulter le service clients **Hilti** ou un conseiller commercial.



- ▶ Ne pas jeter les appareils électriques, électroniques et accus dans les ordures ménagères !

### Garantie constructeur

- ▶ En cas de questions sur les conditions de garantie, veuillez vous adresser à votre partenaire **Hilti** local.

### Informations complémentaires

Vous trouverez de plus amples informations sur l'utilisation, la technique, l'environnement, la déclaration RoHS (uniquement pour les marchés chinois et taïwanais) et le recyclage en cliquant sur le lien suivant : [qr.hilti.com/manual/?id=2392575](http://qr.hilti.com/manual/?id=2392575)

Ce lien figure également dans ce mode d'emploi sous la forme d'un code QR, repéré avec le symbole .

## es Traducción del manual de instrucciones original

### Información sobre el manual de instrucciones

#### Acerca de este manual de instrucciones

- ¡Atención! Asegúrese de haber leído y entendido toda la documentación adjunta, incluidas, entre otras, las instrucciones, advertencias de seguridad, ilustraciones y especificaciones que se proporcionan con este producto. Familiarícese con todas las instrucciones, advertencias de seguridad, ilustraciones, especificaciones, componentes y funciones del producto antes de utilizarlo. De lo contrario, existe peligro de descarga eléctrica, incendio y/o lesiones graves. Conserve todas las advertencias e instrucciones para futuras consultas.
- Los productos **HILTI** han sido diseñados para usuarios profesionales y solo personal autorizado y debidamente formado puede utilizarlos y llevar a cabo su mantenimiento y conservación. Este personal debe estar especialmente instruido en lo referente a los riesgos de uso. La utilización del producto y sus dispositivos auxiliares puede conllevar riesgos para el usuario en caso de manejarse de forma inadecuada por personal no cualificado o utilizarse para usos diferentes a los que están destinados.
- La documentación adjunta corresponde al estado actual de la técnica en el momento de la impresión. Compruebe siempre la última versión en la página del producto de la página web de Hilti. Para ello siga el enlace o escanee el código QR que figura en esta documentación y que se indica con el símbolo .
- No entregue nunca el producto a otras personas sin este manual de instrucciones.

#### Explicación de símbolos

##### Avisos

Las advertencias de seguridad advierten de peligros derivados del manejo del producto. Se utilizan las siguientes palabras de peligro:

### PELIGRO

#### PELIGRO !

- ▶ Término utilizado para un peligro inminente que puede ocasionar lesiones graves o incluso la muerte.

### ADVERTENCIA

#### ADVERTENCIA !

- ▶ Término utilizado para un posible peligro que puede ocasionar lesiones graves o incluso la muerte.

### PRECAUCIÓN

#### PRECAUCIÓN !

- ▶ Término utilizado para una posible situación peligrosa que puede ocasionar lesiones o daños materiales.

### Símbolos en el manual de instrucciones

En este manual de instrucciones se utilizan los siguientes símbolos:

	Consulte el manual de instrucciones
	Indicaciones de uso y demás información de interés
	Referencia cruzada
	Manejo con materiales reutilizables



	No tire las herramientas eléctricas y las baterías junto con los desperdicios domésticos
	Batería de Ion-Litio <b>Hilti</b>
	Cargador <b>Hilti</b>

### Símbolos en las figuras

En las figuras se utilizan los siguientes símbolos:

<b>2</b>	Estos números hacen referencia a la figura correspondiente incluida al principio de este manual de instrucciones.
3	La numeración en las figuras hace referencia a pasos de trabajo importantes o componentes importantes para los pasos de trabajo. Estos pasos de trabajo o componentes se resaltan en el texto mediante los correspondientes números, p. ej., <b>(3)</b> .
11	En la figura <b>Vista general</b> se utilizan números de posición y los números de la leyenda están explicados en el apartado <b>Vista general del producto</b> .
	Preste especial atención a este símbolo cuando utilice el producto.

### Símbolos del producto

#### Símbolos en el producto

En el producto se pueden utilizar los siguientes símbolos:

	Taladrar con percusión (taladrar con martillo)
	Cincelar
	Colocar cincel
	Clase de protección II (aislamiento doble)
	Diámetro
$n_0$	Número de referencia de revoluciones en vacío
/min	Revoluciones por minuto
	Corriente continua
	El producto es apto para tecnología NFC, que es compatible con las plataformas iOS y Android.
Li-Ion	Batería de Ion-Litio
	Nunca utilice la batería como herramienta de percusión.
	No deje que la batería se caiga. No utilice baterías que hayan recibido algún golpe ni que estén dañadas de alguna otra forma.
	Serie utilizada de baterías de Ion-Litio <b>Hilti</b> . Consulte las indicaciones recogidas en el capítulo <b>Uso conforme a las prescripciones</b> .
	Si está en el producto, significa que el organismo de certificación lo ha certificado para el mercado estadounidense y canadiense según las normas vigentes.

### Seguridad

#### Indicaciones generales de seguridad para herramientas eléctricas

**⚠ ADVERTENCIA** Lea con atención todas las indicaciones de seguridad, instrucciones, ilustraciones y datos técnicos correspondientes a esta herramienta eléctrica. La negligencia en el cumplimiento de las instrucciones que se describen a continuación podría provocar descargas eléctricas, incendios o lesiones graves.

**Conservar todas las instrucciones e indicaciones de seguridad para futuras consultas.**

El término «herramienta eléctrica» empleado en las indicaciones de seguridad se refiere a herramientas eléctricas portátiles, ya sea con cable de red o sin cable, en caso de ser accionadas por batería.



### Seguridad en el puesto de trabajo

- ▶ **Mantenga su área de trabajo limpia y bien iluminada.** El desorden o una iluminación deficiente de las zonas de trabajo pueden provocar accidentes.
- ▶ **No utilice la herramienta eléctrica en un entorno con peligro de explosión en el que se encuentren líquidos, gases o polvos inflamables.** Las herramientas eléctricas producen chispas que pueden llegar a inflamar los materiales en polvo o vapores.
- ▶ **Mantenga alejados a los niños y otras personas de su puesto de trabajo al emplear la herramienta eléctrica.** Una distracción le puede hacer perder el control sobre la herramienta.

### Seguridad eléctrica

- ▶ **El enchufe de la herramienta eléctrica debe corresponder a la toma de corriente utilizada. No se deberá modificar el enchufe en forma alguna. No utilice enchufes adaptadores para las herramientas eléctricas con puesta a tierra.** Los enchufes sin modificar adecuados a las respectivas tomas de corriente reducen el riesgo de descarga eléctrica.
- ▶ **Evite el contacto corporal con superficies que tengan puesta a tierra, como pueden ser tubos, calefacciones, cocinas y frigoríficos.** El riesgo a quedar expuesto a una sacudida eléctrica es mayor si su cuerpo tiene contacto con tierra.
- ▶ **No exponga las herramientas eléctricas a la lluvia y evite que penetren líquidos en su interior.** El riesgo de recibir descargas eléctricas aumenta si penetra agua en la herramienta eléctrica.
- ▶ **No utilice el cable de conexión para transportar o colgar la herramienta eléctrica ni tire de él para extraer el enchufe de la toma de corriente. Mantenga el cable de conexión alejado de fuentes de calor, aceite, aristas afiladas o piezas móviles.** Los cables de conexión dañados o enredados pueden provocar descargas eléctricas.
- ▶ **Cuando trabaje al aire libre con una herramienta eléctrica, utilice exclusivamente un alargador adecuado para exteriores.** La utilización de un alargador adecuado para su uso en exteriores evita el riesgo de una descarga eléctrica.
- ▶ **Cuando no pueda evitarse el uso de la herramienta eléctrica en un entorno húmedo, utilice un interruptor de corriente de defecto.** La utilización de un interruptor de corriente de defecto evita el riesgo de una descarga eléctrica.

### Seguridad de las personas

- ▶ **Permanezca atento, preste atención durante el trabajo y utilice la herramienta eléctrica con prudencia. No utilice una herramienta eléctrica si está cansado, ni tampoco después de haber consumido alcohol, drogas o medicamentos.** Un momento de descuido al utilizar la herramienta eléctrica podría producir graves lesiones.
- ▶ **Utilice el equipo de seguridad personal adecuado y lleve siempre gafas protectoras.** El riesgo de lesiones se reduce considerablemente si, según el tipo y la aplicación de la herramienta eléctrica empleada, se utiliza un equipo de seguridad personal adecuado como una máscara antipolvo, calzado de protección con suela antideslizante, casco de protección o protección para los oídos.
- ▶ **Evite una puesta en servicio fortuita de la herramienta. Asegúrese de que la herramienta eléctrica está apagada antes de alzarla, transportarla, conectarla a la alimentación de tensión o insertar la batería.** Si transporta la herramienta eléctrica sujetándola por el interruptor o si introduce el enchufe en la alimentación de tensión con la herramienta conectada, podría producirse un accidente.
- ▶ **Retire las herramientas de ajuste o llaves fijas antes de conectar la herramienta eléctrica.** Una herramienta o llave colocada en una pieza giratoria puede producir lesiones al ponerse en funcionamiento.
- ▶ **Evite adoptar posturas forzadas. Procure que la postura sea estable y manténgase siempre en equilibrio.** De esta forma podrá controlar mejor la herramienta eléctrica en caso de presentarse una situación inesperada.
- ▶ **Utilice ropa adecuada. No utilice vestimenta amplia ni joyas. Mantenga su pelo, vestimenta y guantes alejados de las piezas móviles.** La vestimenta suelta, las joyas y el pelo largo se pueden enganchar con las piezas en movimiento.
- ▶ **Siempre que sea posible montar equipos de aspiración o captación de polvo, asegúrese de que están conectados y de que se utilizan correctamente.** El uso de un sistema de aspiración de polvo reduce los riesgos derivados del polvo.
- ▶ **No se crea a salvo de cualquier riesgo ni pase por alto ninguna de las normas de seguridad relativas a las herramientas eléctricas, aun cuando esté familiarizado con la herramienta eléctrica y tenga larga experiencia en su uso.** Una actuación negligente puede provocar lesiones graves en cuestión de segundos.

### Uso y manejo de la herramienta eléctrica

- ▶ **No sobrecargue la herramienta. Utilice la herramienta eléctrica adecuada para el trabajo que se dispone a realizar.** Con la herramienta eléctrica apropiada podrá trabajar mejor y de modo más seguro dentro del margen de potencia indicado.
- ▶ **No utilice herramientas eléctricas con el interruptor defectuoso.** Las herramientas eléctricas que no se puedan conectar o desconectar son peligrosas y deben repararse.
- ▶ **Extraiga el enchufe de la toma de corriente o retire la batería extraíble antes de efectuar cualquier ajuste en la herramienta, cambiar accesorios o en caso de no utilizar la herramienta durante un tiempo prolongado.** Esta medida preventiva evita el riesgo de arranque accidental de la herramienta eléctrica.
- ▶ **Guarde las herramientas eléctricas que no utilice fuera del alcance de los niños. No permita utilizar la herramienta a ninguna persona que no esté familiarizada con ella o que no haya leído este manual de instrucciones.** Las herramientas eléctricas utilizadas por personas inexpertas son peligrosas.
- ▶ **Cuide su herramienta eléctrica y los accesorios adecuadamente. Compruebe si las piezas móviles de la herramienta funcionan correctamente y sin atascarse, y si existen piezas rotas o deterioradas que pudieran afectar al funcionamiento de la herramienta eléctrica. Encargue la reparación de las piezas defectuosas antes de usar la herramienta eléctrica.** Muchos accidentes son consecuencia de un mantenimiento inadecuado de la herramienta eléctrica.
- ▶ **Mantenga los útiles limpios y afilados.** Las herramientas de corte bien cuidadas y con aristas afiladas se atascan menos y se guían con más facilidad.
- ▶ **Utilice la herramienta eléctrica, los accesorios, útiles de inserción, etc., de acuerdo con estas instrucciones. Para ello, tenga en cuenta las condiciones de trabajo y la tarea que se va a realizar.** El uso de herramientas eléctricas para trabajos diferentes de aquellos para los que han sido concebidas puede resultar peligroso.
- ▶ **Mantenga las empuñaduras y las superficies de contacto secas, limpias y sin residuos de aceite o grasa.** Las empuñaduras y superficies de contacto resbaladizas impiden manejar y controlar la herramienta eléctrica con seguridad en situaciones imprevistas.



### Uso y manejo de la herramienta de batería

- ▶ **Cargue las baterías únicamente con los cargadores recomendados por el fabricante.** Existe riesgo de incendio al intentar cargar baterías de un tipo diferente al previsto para el cargador.
- ▶ **Utilice únicamente las baterías previstas para la herramienta eléctrica.** El uso de otro tipo de baterías puede provocar daños e incluso incendios.
- ▶ **Si no utiliza la batería, guárdela separada de clips, monedas, llaves, clavos, tornillos y demás objetos metálicos que pudieran puentear sus contactos.** El cortocircuito de los contactos de la batería puede causar quemaduras o incendios.
- ▶ **La utilización inadecuada de la batería puede provocar fugas de líquido. Evite el contacto con este líquido. En caso de contacto accidental, enjuague el área afectada con abundante agua. En caso de contacto con los ojos, acuda además inmediatamente a un médico.** El líquido de la batería puede irritar la piel o producir quemaduras.
- ▶ **No utilice baterías dañadas o modificadas.** Una batería dañada o modificada puede tener un comportamiento imprevisible y provocar incendios, explosiones o riesgo de lesiones.
- ▶ **No exponga la batería al fuego o a temperaturas muy elevadas.** El fuego o las temperaturas superiores a 130 °C (265 °F) pueden provocar una explosión.
- ▶ **Siga todas las instrucciones relativas a la carga y no cargue nunca la batería o la herramienta de batería excediendo el rango de temperatura indicado en el manual de instrucciones.** Una carga incorrecta o fuera del rango de temperatura permitido puede destruir la batería y aumentar el riesgo de incendio.

### Servicio Técnico

- ▶ **Solicite que un profesional lleve a cabo la reparación de su herramienta eléctrica y que utilice exclusivamente piezas de repuesto originales.** Solamente así se garantiza la seguridad de la herramienta.
- ▶ **No realice nunca el mantenimiento de baterías dañadas.** Cualquier mantenimiento de las baterías debe llevarlo a cabo el fabricante o un centro del Servicio de Atención al Cliente autorizado.

### Indicaciones de seguridad para martillos

#### Indicaciones de seguridad para todos los trabajos

- ▶ **Utilice protección para los oídos.** El ruido constante puede reducir la capacidad auditiva.
- ▶ **Utilice las empuñaduras adicionales que se suministran con la herramienta.** La pérdida del control puede causar lesiones.
- ▶ **Sujete la herramienta por las empuñaduras aisladas cuando realice trabajos en los que el útil de inserción pueda entrar en contacto con cables eléctricos ocultos.** El contacto con los cables conductores puede traspasar la conductividad a las partes metálicas y producir descargas eléctricas.

#### Indicaciones de seguridad al utilizar la broca larga

- ▶ **Inicie el proceso de perforación siempre con velocidad baja y mientras la broca esté en contacto con la pieza de trabajo.** A velocidades elevadas, la broca se puede doblar un poco si gira libremente sin entrar en contacto con la pieza de trabajo, lo que puede provocar lesiones.
- ▶ **No aplique una presión excesiva y solo en sentido longitudinal respecto a la broca.** Las brocas pueden doblarse y, por consiguiente, romperse o provocar la pérdida del control e incluso lesiones.

### Indicaciones de seguridad adicionales para el martillo perforador

#### Seguridad de las personas

- ▶ Utilice el producto y los accesorios solo si están en perfecto estado técnico.
- ▶ No efectúe nunca manipulaciones o modificaciones en el producto ni en los accesorios.
- ▶ - Riesgo de lesiones en caso de caída de herramientas o accesorios. Antes de iniciar el trabajo, compruebe que la batería y los accesorios montados estén bien fijados.
- ▶ Mantenga siempre las rejillas de ventilación despejadas. Riesgo de quemaduras debido a rejillas de ventilación cubiertas.
- ▶ Durante el proceso de taladrado, proteja la zona opuesta al lugar donde se realiza el trabajo, ya que pueden desprenderse cascotes y causar heridas a otras personas.
- ▶ Sujete siempre el producto con ambas manos por las empuñaduras previstas. Mantenga las empuñaduras secas y limpias.
- ▶ Mantenga siempre una posición firme cuando use el producto. Asegúrese siempre de que mantiene el equilibrio y controla la herramienta antes de empezar a trabajar.
- ▶ Evite tocar las piezas en movimiento. Existe riesgo de lesiones.
- ▶ Al trabajar con el material pueden saltar astillas. Al saltar, el material puede hacer daño en los ojos y en el cuerpo. Cuando utilice el producto, lleve protección para los ojos, casco de protección y protección para los oídos. Si no utiliza ningún aspirador de polvo, utilice además una mascarilla ligera.
- ▶ Utilice guantes de protección para cambiar el útil y para trabajos de cincelado. El contacto con el útil de inserción puede producir cortes y quemaduras.
- ▶ El polvo que se genera al pulir, lijar, cortar y taladrar puede contener productos químicos peligrosos, como, por ejemplo, plomo o pinturas basadas en plomo; ladrillos, hormigón y otros productos de mamostería, piedra natural y otros productos que contengan silicatos; determinadas maderas, como el roble o el haya o las maderas tratadas químicamente, o amianto o materiales que contengan asbesto. La exposición del usuario y las personas circundantes debe regularse según la clase de peligro de los materiales con los que se trabaje. Tome las medidas necesarias para mantener la exposición a un nivel seguro, p. ej., mediante el uso de un sistema de recogida de polvo o una mascarilla adecuada. Las medidas genéricas para reducir la exposición son, entre otras:
  - ▶ trabajar en un espacio bien ventilado;
  - ▶ evitar el contacto prolongado con el polvo;
  - ▶ desviar el polvo de la cara y el cuerpo;
  - ▶ usar prendas protectoras y lavar con agua y jabón las zonas expuestas.
- ▶ Efectúe a menudo pausas y ejercicios para mejorar la circulación de los dedos. Tras muchas horas de trabajo expuesto a las vibraciones intensas, pueden surgir complicaciones en los vasos sanguíneos o en el sistema nervioso en dedos, manos o articulaciones de las manos.
- ▶ No trabaje subido a una escalera.



## Seguridad eléctrica

- ▶ Antes de empezar a trabajar, compruebe si la zona de trabajo oculta cables eléctricos, tuberías de gas o cañerías de agua. Las partes metálicas exteriores del producto pueden provocar una descarga eléctrica o una explosión si se daña un cable eléctrico, una tubería de gas o una cañería de agua.

## Manipulación y utilización segura de las herramientas eléctricas

- ▶ Desconecte inmediatamente la herramienta eléctrica si se bloquea el útil. El producto se puede desviar lateralmente.
- ▶ No conecte el producto hasta que este se encuentre en la posición de trabajo.
- ▶ Al cincelar techos, muros y suelos, mantenga siempre una posición segura y firme. De lo contrario, podría perder el equilibrio al traspasar el material repentinamente.
- ▶ Espere hasta que el producto se haya detenido antes de dejarlo en ninguna superficie.

## Manipulación y utilización segura de las baterías

▶ **Tenga en cuenta las siguientes indicaciones de seguridad para el manejo y el uso seguros de las baterías de Ion-Litio.** En caso de no respetarlas, puede llevar a irritación de la piel, lesiones corrosivas graves, quemaduras químicas, fuego o explosiones.

- ▶ Utilice las baterías solo si están en perfecto estado técnico.
- ▶ Manipule las baterías con cuidado a fin de evitar daños o escapes de líquido altamente peligroso para su salud.
- ▶ Las baterías no deben modificarse ni manipularse en ningún caso.
- ▶ Las baterías no se deben destruir, comprimir, calentar por encima de 80 °C (176 °F) o quemar.
- ▶ No utilice ni cargue baterías que hayan recibido algún golpe ni que estén dañadas de alguna otra forma. Compruebe con regularidad si las baterías presentan signos de daños.
- ▶ No utilice nunca baterías recicladas o reparadas.
- ▶ Nunca utilice la batería o una herramienta eléctrica de batería como herramienta de percusión.
- ▶ No exponga nunca las baterías a radiación solar directa, temperaturas elevadas, chispas o llamas abiertas. Esto puede provocar explosiones.
- ▶ No toque los polos de la batería con los dedos, con herramientas, con joyas o con otros objetos conductores de la electricidad. Esto puede dañar la batería y provocar otros daños materiales y lesiones.
- ▶ Mantenga las baterías alejadas de la lluvia, la humedad y los líquidos. Si entra humedad, pueden producirse cortocircuitos, descargas eléctricas, quemaduras, incendios y explosiones.
- ▶ Utilice únicamente cargadores y herramientas eléctricas concebidos para este tipo de baterías. Para ello, consulte las indicaciones recogidas en el manual de instrucciones correspondiente.
- ▶ No utilice ni almacene la batería en entornos con peligro de explosión.
- ▶ Si al tocar la batería detecta que está muy caliente, puede deberse a una avería en la misma. Coloque la batería en un lugar visible, no inflamable, a suficiente distancia de otros materiales inflamables. Deje que la batería se enfríe. Si, después de una hora, la herramienta sigue estando demasiado caliente para tocarla significa que está averiada. Diríjase al Servicio Técnico de **Hilti** o lea el documento «Indicaciones de seguridad y uso de las baterías de Ion-Litio de **Hilti**».



Tenga en cuenta las directivas especiales aplicables al transporte, almacenamiento y uso de las baterías de Ion-Litio.

Lea las instrucciones de seguridad y uso de las baterías de Ion-Litio de **Hilti**, que puede encontrar escaneando el código QR que se encuentra al final de estas instrucciones de uso.

## Descripción

### Vista general del producto

1	Portátiles (SDS-max)	9	Indicador de estado de la batería
2	Tope de profundidad - Ajuste (accesorio)	10	Empuñadura lateral
3	Tope de profundidad (accesorio)	11	Interruptor de conexión y desconexión
4	Interruptor selector de funciones	12	Tecla de media potencia
5	Botón de fijación para marcha continua del cincel	13	Indicador de media potencia
6	Commutador de control	14	Indicador de funcionamiento
7	Batería	15	Indicador conexión/desconexión
8	Tecla de desbloqueo de la batería		

## Uso conforme a las prescripciones

El producto descrito es un martillo perforador accionado por batería SDS-max con un mecanismo de percusión neumático. Es adecuado para trabajos de taladrado en hormigón, mampostería, madera y metal. Además, el producto se puede utilizar en trabajos sencillos y de mediana envergadura de cincelado en mampostería y para repasar en hormigón.

- Utilice únicamente las baterías de Ion-Litio **Hilti** Nuron de la serie B 22 para este producto. Para garantizar que este producto ofrece un rendimiento óptimo, **Hilti** recomienda utilizar las baterías indicadas en la tabla que encontrará al final de este manual de instrucciones.
- Para estas baterías utilice exclusivamente los cargadores **Hilti** de las series indicadas en la tabla que encontrará al final de este manual de instrucciones.

## Anclaje por socavado

El producto es adecuado para fijar anclajes por socavado seleccionados. Utilice exclusivamente útiles de inserción apropiados.

Para más información, póngase en contacto con el Servicio Técnico de **Hilti**.

## ATC

El producto está equipado con la desconexión rápida electrónica ATC (Active Torque Control).

Si el útil de inserción se bloquea o atasca, el producto empieza a girar repentinamente de forma incontrolada en sentido opuesto. ATC detecta ese giro anómalo y desconecta inmediatamente el producto.



**i** Para garantizar un funcionamiento correcto, se debe poder girar el producto.  
Tras la desconexión rápida, desconecte el producto y vuelva a conectarlo.

### Active Vibration Reduction

El producto está equipado con un sistema Active Vibration Reduction (AVR), que reduce considerablemente las vibraciones.

### Indicador de funcionamiento

El producto está equipado con un indicador de funcionamiento con señal luminosa.

### MMI

Estado	Significado
El <b>indicador de funcionamiento rojo</b> está encendido.	Se ha alcanzado el plazo de funcionamiento de la herramienta hasta la siguiente revisión por parte del Servicio Técnico.
El <b>indicador de funcionamiento rojo</b> parpadea.	Encargue la reparación del producto al Servicio Técnico de <b>Hilti</b> .
El indicador de conexión/desconexión verde está encendido.	El producto está conectado
El indicador de conexión/desconexión verde parpadea.	El producto está desconectado debido a un fallo temporal.
El indicador de conexión/desconexión verde está apagado.	El producto está desconectado.
El indicador amarillo de <b>media potencia</b> está encendido.	El producto funciona con media potencia o la batería es insuficiente para la máxima potencia.
El indicador amarillo de <b>media potencia</b> está apagado.	El producto funciona con la máxima potencia.

### Suministro

Martillo perforador SDS-max, empuñadura lateral, manual de instrucciones.

Encontrará otros productos del sistema autorizados para su producto en su **Hilti Store** o en Internet, en: [www.hilti.group](http://www.hilti.group)

### Visualización de la batería de Ion-Litio

Las baterías de Ion-Litio de **Hilti** Nuron pueden mostrar el estado de carga, los mensajes de error y el estado de la batería.

### Visualización del estado de carga y de los mensajes de error

#### ADVERTENCIA

#### Riesgo de lesiones por la caída de la batería

- ▶ Con la batería colocada, asegúrese tras pulsar la tecla de desbloqueo de que la batería vuelva a encajar correctamente en el producto empleado.

Para recibir una de las siguientes indicaciones, pulse brevemente la tecla de desbloqueo de la batería.

El estado de carga y las posibles averías también se muestran de forma permanente mientras el producto esté conectado.

Estado	Significado
Cuatro (4) LED encendidos permanentemente en verde	Estado de carga: 100 % a 71 %
Tres (3) LED encendidos permanentemente en verde	Estado de carga: 70 % a 51 %
Dos (2) LED se iluminan permanentemente en verde	Estado de carga: 50 % a 26 %
Un (1) LED está encendido permanentemente en verde	Estado de carga: 25 % a 10 %
Un (1) LED parpadea lentamente en verde	Estado de carga: < 10 %
Un (1) LED parpadea rápidamente en verde	La batería de Ion-Litio está totalmente descargada. Cargue la batería. Si tras cargar la batería el LED sigue parpadeando rápidamente, diríjase al Servicio Técnico de <b>Hilti</b> .
Un (1) LED parpadea rápidamente en amarillo	La batería de Ion-Litio o el producto conectado a ella están sobrecargados, demasiado calientes, demasiado fríos o existe otro error. Ponga el producto y la batería en la temperatura de trabajo recomendada y no sobrecargue el producto durante su uso. Si sigue viendo el mensaje, diríjase al Servicio Técnico de <b>Hilti</b> .
Un (1) LED está encendido en amarillo	La batería de Ion-Litio y el producto conectado a ella no son compatibles. Diríjase al servicio técnico de <b>Hilti</b> .
Un (1) LED parpadea rápidamente en rojo	La batería de Ion-Litio está bloqueada y no puede seguir utilizándose. Diríjase al servicio técnico de <b>Hilti</b> .

### Visualización del estado de la batería

Para consultar el estado de la batería, mantenga la tecla de desbloqueo pulsada durante más de 3 segundos. El sistema no detecta un posible funcionamiento incorrecto de la batería debido a un mal uso, como caídas, hendiduras, daños por calor externo, etc.

Estado	Significado
Todos los LED se encienden como luz en movimiento y, a continuación, se enciende un (1) LED permanentemente en verde.	La batería puede seguir utilizándose.
Todos los LED se encienden como luz en movimiento y, a continuación, parpadea un (1) LED rápidamente en amarillo.	No se ha podido completar la consulta sobre el estado de la batería. Repita la operación o diríjase al Servicio Técnico de <b>Hilti</b> .



Estado	Significado
Todos los LED se encienden como luz en movimiento y, a continuación, parpadea un (1) LED permanentemente en rojo.	<p>Cuando un producto conectado puede seguir utilizándose, la capacidad restante de la batería es inferior al 50 %.</p> <p>Cuando un producto conectado ya no puede seguir utilizándose, la batería ha llegado al final de su vida útil y debe ser sustituida. Diríjase al servicio técnico de Hilti.</p>

#### Datos técnicos

#### Datos técnicos

	TE 70-22
Generación de productos	04
Tensión nominal	21,6 V
Peso sin batería	8,9 kg (19,6 lb)
Energía por impacto	14,5 J
Margen de perforación en hormigón/muro (taladrado con martillo)	1/2 in ... 2 3/16 in
Temperatura ambiente en funcionamiento	-17 °C ... 60 °C (1 °F ... 140 °F)
Temperatura de almacenamiento	-20 °C ... 70 °C (-4 °F ... 158 °F)

#### Batería

Tensión de servicio de la batería	21,6 V
Peso batería	Véase al final del manual de instrucciones
Temperatura ambiente en funcionamiento	-17 °C ... 60 °C (1 °F ... 140 °F)
Temperatura de almacenamiento	-20 °C ... 40 °C (-4 °F ... 104 °F)
Temperatura de la batería al comenzar la carga	-10 °C ... 45 °C (14 °F ... 113 °F)

#### Preparación del trabajo

##### ADVERTENCIA

#### Riesgo de lesiones por arranque involuntario

- ▶ Antes de insertar la batería, asegúrese de que el producto correspondiente esté desconectado.
- ▶ Retire la batería antes de realizar ajustes en la herramienta o de cambiar accesorios.

Respete las indicaciones de seguridad y las advertencias presentes en esta documentación y en el producto.

#### Carga de la batería

1. Antes de cargarla, lea el manual de instrucciones del cargador.
2. Asegúrese de que los contactos de la batería y del cargador estén limpios y secos.
3. Cargue la batería en un cargador autorizado. 25

#### Colocación de la batería

##### ADVERTENCIA

#### Riesgo de lesiones por cortocircuito o caída de la batería.

- ▶ Antes de insertar la batería, asegúrese de que los contactos de la batería y del producto estén libres de cuerpos extraños.
- ▶ Asegúrese de que la batería encaje siempre correctamente.

1. Cargue por completo la batería antes de la primera puesta en servicio.
2. Introduzca la batería en el producto hasta que encaje de forma audible.
3. Compruebe que la batería está bien colocada.

#### Extracción de la batería

1. Pulse la tecla de desbloqueo de la batería.
2. Retire la batería del producto.

#### Montaje de la empuñadura lateral

##### PRECAUCIÓN

#### Riesgo de lesiones Pérdida de control del producto.

- ▶ Asegúrese de que la empuñadura lateral esté correctamente montada y fijada conforme a las prescripciones. Asegúrese de que la banda de sujeción esté situada en la ranura del producto prevista para tal fin.



**⚠ PRECAUCIÓN**

**Riesgo de lesiones.** Obstáculo para el operario si el tope de profundidad está colocado pero no se utiliza.

- ▶ Retire el tope de profundidad del producto.

1. Gire la empuñadura para soltar el soporte (banda de sujeción) de la empuñadura lateral.
2. Deslice el soporte (banda de sujeción) desde delante a través del portaútiles (SDS-max) hasta la ranura prevista para ello.
3. Coloque la empuñadura lateral en la posición deseada.
4. Gire la empuñadura para fijar el soporte (banda de sujeción) de la empuñadura lateral.

**Montaje del tope de profundidad (opcional) 4**

1. Gire la empuñadura para soltar el soporte (banda de sujeción) de la empuñadura lateral.
2. Gire el mango para destensar el soporte (banda de sujeción) de la empuñadura lateral.
3. Introduzca el tope de profundidad desde delante en los 2 orificios guía previstos para este fin.
4. Gire el mango para fijar el soporte (banda de sujeción) de la empuñadura lateral.
5. Gire la empuñadura para fijar el soporte (banda de sujeción) de la empuñadura lateral.

**Ajuste de la potencia**

**i** Después de introducir la batería, el producto siempre está ajustado para un funcionamiento con la máxima potencia.

**Si utiliza baterías más pequeñas que las recomendadas en este manual de instrucciones, el producto reducirá automáticamente la potencia. Esto evita que las baterías se sobrecarguen y se aumente su vida útil.** Se enciende el «Indicador de media potencia». No es posible conmutar a la máxima potencia.

1. Pulse la «tecla de media potencia». El producto pasa a funcionar a media potencia.
  - ▶ Se enciende el «Indicador de media potencia».
2. Vuelva a pulsar la «tecla de media potencia». El producto pasa a funcionar a la máxima potencia.
  - ▶ Se apaga el «Indicador de media potencia».

**Protección frente a caídas 5****⚠ ADVERTENCIA**

**Riesgo de lesiones** por caída de herramientas o accesorios.

- ▶ Utilice únicamente la cuerda de amarre para herramientas **Hilti** recomendada para su producto.
- ▶ Antes de cada uso, compruebe que el punto de fijación de la cuerda de amarre para herramientas no presente posibles daños.

**i** Tenga en cuenta las directivas nacionales para trabajos en altura.

Para este producto, utilice únicamente como protección frente a caídas la cuerda de amarre para herramientas **Hilti** #2261971.

- ▶ Fije la cuerda de amarre para herramientas con la correa del producto como se muestra en la figura. Compruebe que quede fijada de forma segura.
- ▶ Fije el mosquetón a una estructura portante. Compruebe que el mosquetón quede fijado de forma segura.

**i** Tenga en cuenta el manual de instrucciones de la cuerda de amarre para herramientas **Hilti**.

**Insertión/extracción del útil 6****⚠ PELIGRO**

**Riesgo de incendio** Peligro por el contacto de la herramienta caliente con materiales fácilmente inflamables.

- ▶ No deje la herramienta caliente sobre un material fácilmente inflamable.

**⚠ PRECAUCIÓN**

**Riesgo de lesiones por herramienta de inserción.** El útil puede estar caliente o afilado.

- ▶ Utilice guantes de protección para cambiar el útil.

**i** El uso de una grasa inadecuada puede provocar daños en el producto. **Utilice únicamente grasa original de Hilti.**

1. Engrase ligeramente el extremo del útil de inserción.
2. Encaje el útil de inserción en el portaútiles (SDS-max) introduciéndolo hasta el tope.
3. Una vez insertado, tire del útil para comprobar que está encajado.
  - ▶ El producto está listo para funcionar.
4. Retire el bloqueo del útil hasta el tope y extraiga el útil de inserción.

**Manejo**

Respete las indicaciones de seguridad y las advertencias presentes en esta documentación y en el producto.





## Conexión

1. Presionar el interruptor de conexión y desconexión.
2. A continuación pulse el conmutador de control.

## Interruptor selector de funciones

- ▶ Sitúe el interruptor selector de funciones en la posición de trabajo que desee.
  - ▶ El interruptor selector de funciones no debe accionarse durante el servicio. **Riesgo de daños**

## Taladrar con percusión (taladrar con martillo)

- ▶ Sitúe el interruptor selector de funciones en:

## Colocar cincel

### PRECAUCIÓN

**Riesgo de lesiones.** Pérdida de control de la dirección del cincel.

- ▶ No trabaje en la posición «Colocar cincel». Lleve el interruptor selector de funciones a la posición «Cincelar» hasta que encaje.



El cincel cuenta con 24 posiciones de ajuste diferentes (en intervalos de 15°). De ese modo, siempre se adopta la mejor posición en los trabajos con cincel plano y cincel de perfilar.

1. Sitúe el interruptor selector de funciones en:
2. Gire el cincel hasta alcanzar la posición deseada.
3. Sitúe el interruptor selector de funciones en: hasta que encaje.
  - ▶ El producto está listo para funcionar.

## Cincelar

- ▶ Sitúe el interruptor selector de funciones en:

## Conexión y desconexión de la marcha continua



En el modo de cincelado, el conmutador de control puede bloquearse estando conectado.

1. Deslice hacia delante el botón de fijación para marcha continua del cincel.
2. Presionar el interruptor de conexión y desconexión.
3. A continuación pulse el conmutador de control completamente hacia dentro.
  - ▶ Ahora el producto se encuentra en modo de marcha continua.
4. Deslice hacia atrás el botón de fijación para marcha continua del cincel.
  - ▶ El producto se desconecta.

## Cuidado y mantenimiento

### ADVERTENCIA

#### Riesgo de lesiones con la batería colocada !

- ▶ Extraiga siempre la batería antes de llevar a cabo tareas de cuidado y mantenimiento.

#### Cuidado del producto

- Elimine con precaución la suciedad fuertemente adherida.
- Las rejillas de ventilación, si las hay, deben limpiarse con cuidadosamente con un cepillo seco y suave.
- Limpie la carcasa solo con un paño ligeramente humedecido.
- Utilice un paño limpio y seco para limpiar los contactos del producto.

#### Cuidado de las baterías de Ion-Litio

- No utilice nunca una batería con las rejillas de ventilación obstruidas. Limpie cuidadosamente las rejillas de ventilación con un cepillo seco y suave.
- Evite la exposición innecesaria de la batería al polvo o la suciedad. No exponga nunca la batería a altos niveles de humedad (por ejemplo, sumergiéndola en agua o dejándola bajo la lluvia). Si penetra agua en la batería, trátela como una batería dañada. Aíslela en un recipiente no inflamable y póngase en contacto con el Servicio Técnico de Hilti.
- Mantenga la batería limpia de aceite o grasa. No permita la acumulación innecesaria de polvo o suciedad en la batería. Limpie la batería con un cepillo seco y suave o con un paño limpio y seco. No toque los contactos de la batería y no elimine de los contactos la grasa aplicada de fábrica.
- Limpie la carcasa solo con un paño ligeramente humedecido.

## Mantenimiento

### ADVERTENCIA

**Riesgo de descarga eléctrica.** Las reparaciones indebidas en componentes eléctricos pueden producir lesiones graves y quemaduras.

- ▶ Las reparaciones de la parte eléctrica sólo puede llevarlas a cabo un técnico electricista cualificado.
- Compruebe con regularidad que las piezas visibles no estén dañadas y los elementos de manejo funcionen correctamente.
- No utilice el producto si presenta daños o fallos que afecten al funcionamiento. Encargue inmediatamente la reparación del producto al Servicio Técnico de Hilti.



- Tras las tareas de cuidado y mantenimiento, coloque todos los dispositivos de protección y asegúrese de que funcionen correctamente.

Para garantizar un correcto funcionamiento, utilice exclusivamente piezas de repuesto, material de consumo y accesorios originales. Las piezas de repuesto, los materiales de consumo y los accesorios autorizados por **Hilti** se pueden consultar en su **Hilti Store** o en: [www.hilti.group](http://www.hilti.group)

## Transporte y almacenamiento

### Transporte de baterías y herramientas a batería

#### PRECAUCIÓN

#### Arranque involuntario en el transporte !

- Transporte sus productos siempre sin batería.

- Extraiga la(s) batería(s).
- Nunca transporte las baterías sin embalaje. Durante el transporte, las baterías deben estar protegidas frente a vibraciones y golpes excesivos y aisladas de todo material conductor y de otras baterías para que no entren en contacto con los polos de otras baterías y causen un cortocircuito. **Tenga en cuenta las normativas locales sobre el transporte de baterías.**
- Las baterías no deben enviarse por correo. Diríjase a una empresa de transporte si quiere enviar baterías no dañadas.
- Compruebe si el producto o las baterías están dañados antes de cada uso y antes y después de un transporte prolongado.

### Almacenamiento de baterías y herramientas a batería

#### ADVERTENCIA

#### Daños imprevistos debido a una batería defectuosa o agotada !

- Guarde su productos siempre sin batería.
- Guarde el producto y las baterías en un lugar fresco y seco. Tenga en cuenta los valores límite de temperatura que figuran en los datos técnicos. 27
- No almacene las baterías en el cargador. Extraiga siempre la batería del cargador después del proceso de carga.
- No guarde nunca las baterías en un lugar expuesto al sol, a fuentes de calor o detrás de un cristal.
- Guarde el producto y las baterías fuera del alcance de niños y personas no autorizadas.
- Compruebe si el producto o las baterías están dañados antes de cada uso y antes y después de un almacenamiento prolongado.

### Ayuda en caso de averías

En caso de producirse una avería, compruebe el indicador de estado de la batería. Véase el capítulo **Mostrar la batería de Ion-Litio** 26. Si se producen averías que no estén incluidas en esta tabla o que no pueda solucionar usted, diríjase al Servicio Técnico de **Hilti**.

Anomalía	Posible causa	Solución
Sin percusión.	El producto está demasiado frío.	<ul style="list-style-type: none"> <li>► Coloque el producto sobre la superficie de trabajo y déjelo funcionar en vacío. Repita esta acción si es necesario hasta que funcione el mecanismo de percusión.</li> </ul>
La batería se descarga con mayor rapidez que de costumbre.	Estado de la batería no óptimo.	<ul style="list-style-type: none"> <li>► Consulte el estado de la batería. Capítulo «Mostrar la batería Ion-Litio»  26.</li> </ul>
La batería no se enclava con un clic audible.	Suciedad en la lengüeta de la batería.	<ul style="list-style-type: none"> <li>► Limpie la lengüeta y vuelva a colocar la batería.</li> </ul>
Los LED de la batería no indican nada.	La batería está defectuosa.	<ul style="list-style-type: none"> <li>► Póngase en contacto con el Servicio Técnico de <b>Hilti</b>.</li> </ul>
El husillo de la herramienta no gira.	Se ha sobrepasado la temperatura de funcionamiento autorizada del sistema electrónico del producto.	El indicador de conexión/desconexión verde parpadea. <ul style="list-style-type: none"> <li>► Deje enfriar el producto.</li> </ul>
	La batería no se ha insertado completamente.	<ul style="list-style-type: none"> <li>► Introduzca la batería hasta que encaje y se oiga un clic.</li> </ul>
El producto se desconecta automáticamente.	Protección contra sobrecarga activada.	El indicador de conexión/desconexión verde parpadea. <ul style="list-style-type: none"> <li>► Suelte el conmutador de control. Deje enfriar el producto. Vuelva a accionar el conmutador de control. Reduzca la carga de la herramienta.</li> </ul>
El producto se desconecta si la broca se queda atascada.	Se ha activado el dispositivo de protección electrónico para evitar que el producto vuelva a atascarse.	<ul style="list-style-type: none"> <li>► Suelte la broca.</li> </ul>
Calentamiento considerable del producto o la batería.	Error en el sistema eléctrico.	<ul style="list-style-type: none"> <li>► Desconecte el producto inmediatamente. Extraiga la batería y obsérvela. Deje que se enfríe. Póngase en contacto con el Servicio Técnico de <b>Hilti</b>.</li> </ul>
	El producto está sobrecargado (límites de aplicación superados).	<ul style="list-style-type: none"> <li>► Seleccione un producto adecuado para la aplicación.</li> </ul>



Anomalia	Posible causa	Solución
Los LED de la batería no indican nada.	La batería está defectuosa.	► Póngase en contacto con el Servicio Técnico de <b>Hilti</b> .
El producto no desarrolla toda la potencia.	Conmutador de control no pulsado del todo.	► Presione el conmutador de control hasta el tope.
	Tecla de media potencia encendida.	► Pulse la tecla «Media potencia».
La broca no gira.	El interruptor selector de funciones no está encajado o se encuentra en la posición «Cin- celar»  o «Colocar cincel» .	► Sitúe el interruptor selector de funciones con la herramienta parada en la posición «Taladrar con martillo» .
El útil no se puede desbloquear.	El portátiles (SDS-max) no está retraído por completo.	► Retire el bloqueo del útil hasta el tope y extraiga el útil.
	La empuñadura lateral no está montada correctamente.	► Afloje la empuñadura lateral y móntela correctamente de modo que la banda de sujeción y la empuñadura lateral queden encajadas en la entalladura.
El producto no se pone en marcha.	El bloqueo de arranque electrónico permanece activo después de una interrupción de la alimentación de corriente.	► Desconecte y vuelva a conectar el producto.
El indicador de funcionamiento se ilumina.	Tiempo límite de para acudir al Servicio Técnico alcanzado.	► Encargue el mantenimiento del producto al Servicio Técnico de <b>Hilti</b> .
El indicador de funcionamiento parpadea.	Daños en el producto.	► Encargue la reparación del producto al Servicio Técnico de <b>Hilti</b> .
El indicador de conexión/desconexión parpadea.	Producto brevemente sobrecargado.	► Suelte el conmutador de control y vuelvalo a accionar.
	La protección contra sobrecalentamiento está activada.	► Deje enfriar el producto y limpie las rejillas de ventilación.

## Reciclaje

### ADVERTENCIA

**Riesgo de lesiones por un reciclaje indebido.** Riesgo para la salud debido a escapes de gases o líquidos.

- No envíe baterías dañadas bajo ningún concepto.
- Cubra las conexiones con un material no conductor para evitar cortocircuitos.
- Deshágase de las baterías de tal forma que no terminen en manos de niños.
- Elimine la batería en su **Hilti Store** o diríjase a su empresa de desechos.

Los productos **Hilti** están fabricados en su mayor parte con materiales reutilizables. La condición para dicha reutilización es una separación adecuada de los materiales. En muchos países, **Hilti** recoge las herramientas usadas para su recuperación. Pregunte al Servicio de Atención al Cliente de **Hilti** o a su asesor de ventas.



- No deseche las herramientas eléctricas, los aparatos eléctricos ni las baterías junto con los residuos domésticos.

## Garantía del fabricante

- Si tiene alguna consulta acerca de las condiciones de la garantía, póngase en contacto con su sucursal local de **Hilti**.

## Más información

Encontrará información adicional sobre manejo, técnica, medioambiente, declaración RoHS (solo mercados de China y Taiwán) y reciclaje en el siguiente enlace: [qr.hilti.com/manual/?id=2392575](http://qr.hilti.com/manual/?id=2392575)

En este manual de instrucciones también encontrará este enlace en forma de código QR, identificado con el símbolo .

## pt Manual de instruções original

### Indicações sobre o Manual de instruções

#### Relativamente a este Manual de instruções

- **Aviso!** Antes de utilizar o produto, certifique-se de que leu e compreendeu o Manual de instruções fornecido com o produto incluindo as instruções, instruções de segurança e advertências, figuras e especificações. Familiarize-se sobretudo com todas as instruções, instruções de segurança e advertências, figuras, especificações, bem como com componentes e funções. Em caso de incumprimento existe perigo de choque eléctrico, incêndio e/ou ferimentos graves. Guarde o Manual de instruções incluindo todas as instruções, instruções de segurança e advertências para utilização posterior.
- Os produtos destinam-se ao utilizador profissional e só podem ser operados, mantidos e reparados por pessoal autorizado, devidamente qualificado. Estas pessoas deverão estar informadas em particular sobre os potenciais perigos. O produto e seu equipamento auxiliar podem representar perigo se usados incorrectamente por pessoas não qualificadas ou se usados para fins diferentes daqueles para os quais foram concebidos.



- O Manual de instruções fornecido corresponde ao actual avanço tecnológico no momento da impressão. Encontra a versão actual sempre online, na página de produtos Hilti. Para o efeito, siga a hiperligação ou o código QR neste Manual de instruções, identificado com o símbolo
- Entregue o produto a outras pessoas apenas juntamente com o Manual de instruções.

### Explicação dos símbolos

#### Advertências

As advertências alertam para perigos durante a utilização do produto. São utilizadas as seguintes palavras de aviso:



**PERIGO**

#### PERIGO !

- Indica perigo iminente que pode originar acidentes pessoais graves ou até mesmo fatais.



**AVISO**

#### AVISO !

- Indica um possível perigo que pode causar graves ferimentos pessoais, até mesmo fatais.



**CUIDADO**

#### CUIDADO !

- Indica uma situação potencialmente perigosa que pode originar ferimentos corporais ou danos materiais.

### Símbolos no manual de instruções

Neste manual de instruções são utilizados os seguintes símbolos:

	Consultar o manual de instruções
	Instruções de utilização e outras informações úteis
	Referência cruzada
	Manuseamento com materiais recicláveis
	Não deitar as ferramentas elétricas e baterias no lixo doméstico
	<b>Hilti</b> Bateria de iões de lítio
	Carregador <b>Hilti</b>

### Símbolos nas figuras

Em figuras são utilizados os seguintes símbolos:

	Estes números remetem para a figura respetiva no início do presente manual de instruções.
	A numeração nas imagens indica passos de trabalho importantes ou componentes importantes para os passos de trabalho. No texto, estes passos de trabalho ou componentes são realçados com os respetivos números, p. ex. <b>(3)</b> .
	Na figura <b>Vista geral</b> são utilizados números de posição que fazem referência aos números da legenda na secção <b>Vista geral do produto</b> .
	Este símbolo pretende despertar a sua atenção durante o manuseamento do produto.

### Símbolos dependentes do produto

#### Símbolos no produto

No produto, podem usar-se os seguintes símbolos:

	Furar com percussão (furar de martelo)
	Cinzelar
	Posicionar o cinzel
	Classe II de protecção (com duplo isolamento)
	Diâmetro



$n_0$	Velocidade nominal de rotação sem carga
/min	Rotações por minuto
---	Corrente contínua
	O produto suporta a tecnologia NFC que é compatível com plataformas iOS e Android.
Li-Ion	Bateria de iões de lítio
	Nunca utilize a bateria como ferramenta de percussão.
	Não deixe cair a bateria. Não utilize baterias que tenham recebido uma pancada ou que estejam, de outra forma, danificadas.
	Série utilizada da bateria de iões de lítio Hilti. Tenha em atenção as indicações no capítulo <b>Utilização conforme a finalidade projectada</b> .
	Se existente no produto, isso significa que o produto foi certificado por este organismo de certificação para o mercado americano e canadiano de acordo com as normas em vigor.

## Segurança

### Normas de segurança gerais para ferramentas eléctricas

**⚠ AVISO** Leia todas as normas de segurança, instruções, imagens e dados técnicos, com os quais esta ferramenta eléctrica está equipada. O não cumprimento das instruções a seguir pode resultar em choque eléctrico, incêndio e/ou ferimentos graves.

**Guarde bem todas as normas de segurança e instruções para futura referência.**

O termo “ferramenta eléctrica” utilizado nas normas de segurança refere-se a ferramentas com ligação à corrente eléctrica (com cabo de alimentação) ou a ferramentas a bateria (sem cabo).

### Segurança no posto de trabalho

- ▶ **Mantenha a sua área de trabalho limpa e bem iluminada.** Locais desarrumados ou mal iluminados podem ocasionar acidentes.
- ▶ **Não utilize a ferramenta eléctrica em ambientes explosivos ou na proximidade de líquidos ou gases inflamáveis.** Ferramentas eléctricas produzem faíscas que podem provocar a ignição de pó e vapores.
- ▶ **Mantenha crianças e terceiros afastados durante os trabalhos.** Distrações podem conduzir à perda de controlo sobre a ferramenta.

### Segurança eléctrica

- ▶ **A ficha da ferramenta eléctrica deve servir na tomada. A ficha não deve ser modificada de modo algum. Não utilize quaisquer adaptadores com ferramentas eléctricas com ligação terra.** Fichas originais (não modificadas) e tomadas adequadas reduzem o risco de choque eléctrico.
- ▶ **Evite o contacto do corpo com superfícies ligadas à terra, como, por exemplo, canos, radiadores, fogões e frigoríficos.** Existe um risco elevado de choque eléctrico se o corpo estiver com ligação à terra.
- ▶ **As ferramentas eléctricas não devem ser expostas à chuva nem à humidade.** A infiltração de água numa ferramenta eléctrica aumenta o risco de choque eléctrico.
- ▶ **Não use o cabo de ligação para transportar, pendurar ou desligar a ferramenta eléctrica da tomada. Mantenha o cabo de ligação afastado de calor, óleo, arestas vivas ou partes em movimento.** Cabos de ligação danificados ou emaranhados aumentam o risco de choque eléctrico.
- ▶ **Quando operar uma ferramenta eléctrica ao ar livre, utilize apenas cabos de extensão próprios para utilização no exterior.** A utilização de um cabo de extensão próprio para utilização no exterior reduz o risco de choques eléctricos.
- ▶ **Utilize um disjuntor diferencial se não puder ser evitada a utilização da ferramenta eléctrica em ambiente húmido.** A utilização de um disjuntor diferencial reduz o risco de choque eléctrico.

### Segurança física

- ▶ **Esteja alerta, observe o que está a fazer, e tenha prudência ao trabalhar com uma ferramenta eléctrica. Se estiver cansado ou sob influência de drogas, álcool ou medicamentos não efectue nenhum trabalho com ferramentas eléctricas.** Um momento de distração ao operar a ferramenta eléctrica pode causar ferimentos graves.
- ▶ **Use equipamento de segurança. Use sempre óculos de protecção.** Equipamento de segurança, como, por exemplo, máscara antipoeiras, sapatos de segurança antiderrapantes, capacete de segurança ou protecção auricular, de acordo com o tipo e aplicação da ferramenta eléctrica, reduzem o risco de lesões.
- ▶ **Evite um arranque involuntário. Assegure-se de que a ferramenta eléctrica está desligada antes de a ligar à fonte de alimentação e/ou à bateria, pegar nela ou a transportar.** Transportar a ferramenta eléctrica com o dedo no interruptor ou ligar uma ferramenta à tomada com o interruptor ligado (ON) pode resultar em acidentes.
- ▶ **Remova quaisquer chaves de ajuste (chaves de fenda), antes de ligar a ferramenta eléctrica.** Um acessório ou chave deixado preso numa parte rotativa da ferramenta pode causar ferimentos.
- ▶ **Evite posturas corporais desfavoráveis. Mantenha sempre uma posição correcta, em perfeito equilíbrio.** Desta forma será mais fácil manter o controlo sobre a ferramenta eléctrica em situações inesperadas.
- ▶ **Use roupa apropriada. Não use roupa larga ou jóias. Mantenha o cabelo, vestuário e luvas afastados das peças móveis.** Roupas largas, jóias ou cabelos compridos podem ficar presos nas peças móveis.



- ▶ **Se poderem ser montados sistemas de remoção e de recolha de pó, assegure-se de que estes estão ligados e são utilizados correctamente.** A utilização de um sistema de remoção de pó pode reduzir os perigos relacionados com a exposição ao mesmo.
- ▶ **Não se acomode numa falsa sensação de segurança e não ignore os regulamentos de segurança para ferramentas eléctricas, mesmo se estiver familiarizado com a ferramenta eléctrica após numerosas utilizações.** Agir de forma descuidada pode causar ferimentos graves dentro duma fracção de segundo.

#### Utilização e manuseamento da ferramenta eléctrica

- ▶ **Não sobrecarregue a ferramenta. Use para o seu trabalho a ferramenta eléctrica correcta.** Com a ferramenta eléctrica adequada obterá maior eficiência e segurança se respeitar os seus limites.
- ▶ **Não utilize a ferramenta eléctrica se o interruptor estiver defeituoso.** Uma ferramenta eléctrica que já não possa ser accionada pelo interruptor é perigosa e deve ser reparada.
- ▶ **Retire a ficha da tomada e/ou remova uma bateria amovível antes de efectuar ajustes na ferramenta, substituir acessórios ou guardar a ferramenta.** Esta medida preventiva evita o accionamento acidental da ferramenta eléctrica.
- ▶ **Guarde ferramentas eléctricas não utilizadas fora do alcance das crianças. Não permita que a ferramenta seja utilizada por pessoas não familiarizadas com a mesma ou que não tenham lido estas instruções.** Ferramentas eléctricas operadas por pessoas não treinadas são perigosas.
- ▶ **Faça uma manutenção regular de ferramentas eléctricas e acessórios. Verifique se as partes móveis funcionam perfeitamente e não emperram ou se há peças quebradas ou danificadas que possam influenciar o funcionamento da ferramenta eléctrica. Peças danificadas devem ser reparadas antes da utilização da ferramenta.** Muitos acidentes são causados por ferramentas eléctricas com manutenção deficiente.
- ▶ **Mantenha as ferramentas de corte sempre afiadas e limpas.** Acessórios com gumes afiados tratados correctamente emperram menos e são mais fáceis de controlar.
- ▶ **Utilize a ferramenta eléctrica, acessórios, bits, etc., de acordo com estas instruções. Tome também em consideração as condições de trabalho e o trabalho a ser efectuado.** A utilização da ferramenta eléctrica para outros fins além dos previstos, pode ocasionar situações de perigo.
- ▶ **Mantenha punhos e respectivas superfícies secos, limpos e isentos de óleo e gordura.** Punhos e superfícies afins escorregadios não permitem um manuseamento e controlo seguro da ferramenta eléctrica em situações imprevistas.

#### Utilização e manuseamento da ferramenta a bateria

- ▶ **Apenas deverá carregar as baterias em carregadores recomendados pelo fabricante.** Num carregador adequado para um determinado tipo de baterias existe perigo de incêndio se for utilizado para outras baterias.
- ▶ **Nas ferramentas eléctricas utilize apenas as baterias previstas.** A utilização de outras baterias pode causar ferimentos e riscos de incêndio.
- ▶ **Quando a bateria não estiver em uso, mantenha-a afastada de outros objectos de metal, como, por exemplo, cliques, moedas, chaves, pregos, parafusos, ou outros pequenos objectos metálicos que possam ligar em ponte os contactos.** Um curto-circuito entre os contactos da bateria pode causar queimaduras ou incêndio.
- ▶ **Utilizações inadequadas podem provocar derrame do líquido da bateria. Evite o contacto com este líquido. No caso de contacto acidental, enxágue imediatamente com água. Se o líquido entrar em contacto com os olhos, procure auxílio médico.** O líquido que escorre da bateria pode provocar irritações ou queimaduras da pele.
- ▶ **Não utilize uma bateria danificada ou modificada.** Baterias danificadas ou modificadas podem ter um comportamento imprevisível e causar fogo, explosão ou risco de ferimentos.
- ▶ **Não exponha uma bateria ao fogo ou a temperaturas excessivas.** Fogo e temperaturas superiores a 130 °C (265 °F) podem provocar uma explosão.
- ▶ **Cumpra todas as instruções sobre o carregamento e nunca carregue a bateria ou a ferramenta a bateria fora da faixa de temperaturas indicada no manual de instruções.** O carregamento errado ou fora da faixa de temperaturas permitida pode destruir a bateria e aumentar o risco de incêndio.

#### Manutenção

- ▶ **A sua ferramenta eléctrica só deve ser reparada por pessoal qualificado e só devem ser utilizadas peças sobressalentes originais.** Isto assegurará que a segurança da ferramenta se mantenha.
- ▶ **Nunca faça a manutenção de baterias danificadas.** Qualquer manutenção de baterias só deverá ser realizada pelo fabricante ou serviços de assistência técnica autorizados.

#### Normas de segurança para martelos

##### Indicações de segurança para todos os trabalhos

- ▶ **Use protecção auricular.** Ruído em excesso pode levar à perda de audição.
- ▶ **Utilize os punhos auxiliares fornecidos com a ferramenta.** A perda de controlo da ferramenta pode causar ferimentos.
- ▶ **Segure a ferramenta apenas pelas áreas isoladas dos punhos quando executar trabalhos onde o acessório pode encontrar cabos eléctricos encobertos.** O contacto com um cabo sob tensão também pode colocar partes metálicas da ferramenta sob tensão e causar um choque eléctrico.

##### Indicações de segurança em caso de utilização de brocas compridas

- ▶ **Inicie o processo de perfuração sempre a baixas rotações e enquanto a broca estiver em contacto com a peça a trabalhar.** Se trabalhar com velocidades maiores, a broca poderá deformar-se ligeiramente, se poder rodar livremente, sem contacto com a peça a trabalhar, dando origem a ferimentos.
- ▶ **Não aplique uma pressão excessiva e apenas no sentido longitudinal relativamente à broca.** As brocas podem deformar-se e, deste modo, partir ou originar uma perda de controlo, dando origem a ferimentos.

#### Normas de segurança adicionais do martelo perfurador

##### Segurança física

- ▶ Utilize o produto e os acessórios somente se estiverem em perfeitas condições técnicas.
- ▶ Nunca efectue quaisquer manipulações ou modificações no produto ou nos acessórios.



- ▶ Risco de ferimentos devido a queda de ferramentas e/ou acessórios. Antes de iniciar os trabalhos, verifique se a bateria e os acessórios montados estão realmente fixos.
- ▶ Mantenha sempre as saídas de ar desobstruídas. Risco de queimaduras devido a saídas de ar tapadas!
- ▶ Ao realizar trabalhos de perfuração, vede a área que se encontra do lado oposto dos trabalhos. Restos de demolição podem desprender-se e/ou cair e ferir outras pessoas.
- ▶ Segure o produto sempre com as duas mãos nos punhos previstos para o efeito. Mantenha os punhos secos e limpos.
- ▶ Deve ter sempre um apoio seguro e firme quando utiliza o produto. Certifique-se de que está equilibrado e que detém o controlo antes de começar com o trabalho.
- ▶ Evite o contacto com peças rotativas - risco de ferimentos!
- ▶ O material pode fragmentar-se devido ao processamento. Os estilhaços podem provocar ferimentos no corpo e nos olhos. Use óculos de protecção, capacete de segurança e protecção auricular durante a utilização do produto. Se não utilizar nenhuma aspiração de pó, use adicionalmente uma máscara de protecção respiratória leve.
- ▶ Use luvas de protecção quando substituir os acessórios e durante os trabalhos de cinzelamento. Tocar no acessório pode causar ferimentos por corte e queimaduras.
- ▶ Pó produzido ao retificar, lixar, cortar e furar pode conter produtos químicos perigosos. Alguns exemplos são: chumbo ou tintas à base de chumbo; tijolo, betão e outros produtos de alvenaria, pedra natural e outros produtos que contenham silicatos; determinadas madeiras, como carvalho, faia e madeira tratada quimicamente; amianto ou materiais contendo amianto. Determine a exposição do operador e das pessoas que se encontrem nas proximidades através da classe de perigo dos materiais a serem trabalhados. Tome as medidas necessárias para manter a exposição a um nível seguro como, por ex., a utilização de um sistema coletor de pó ou o uso de uma protecção respiratória adequada. As medidas gerais para redução da exposição incluem:
  - ▶ Trabalhar num local bem ventilado,
  - ▶ Evitar o contacto prolongado com pó,
  - ▶ Afastar o pó do rosto e do corpo,
  - ▶ Usar roupa de protecção e lavar áreas expostas com água e sabão.
- ▶ Faça frequentemente pausas e exercícios para melhorar a circulação sanguínea nos dedos. Os trabalhos mais longos, devido às intensas vibrações, podem causar distúrbios nos vasos sanguíneos ou no sistema nervoso dos dedos, mãos ou pulsos.
- ▶ Não trabalhe em cima de uma escada.

#### Segurança eléctrica

- ▶ Antes de iniciar os trabalhos, verifique o local de trabalho relativamente a cabos eléctricos encobertos, bem como tubos de gás e água. Partes metálicas externas do produto podem causar um choque eléctrico ou uma explosão se, inadvertidamente, danificarem uma linha eléctrica, um cano de gás ou de água.

#### Utilização e manutenção de ferramentas eléctricas

- ▶ Desligue imediatamente a ferramenta eléctrica, se o instrumento bloquear. O produto pode desviar-se para os lados.
- ▶ Ligue o produto somente quando o tiver colocado na posição de trabalho.
- ▶ Ao cinzelar tectos, paredes e pavimentos garanta uma posição de trabalho firme e segura. Um atravessamento repentino poderá levar à perda do equilíbrio!
- ▶ Aguarde até que o produto esteja parado, antes de o pousar.

#### Utilização e manutenção de baterias

- ▶ **Tenha em atenção as seguintes indicações de segurança para um manuseamento e utilização seguros de baterias de iões de lítio.** A inobservância pode causar irritações da pele, ferimentos corrosivos graves, queimaduras químicas, fogo e/ou explosões.
- ▶ Utilize a bateria somente se estiverem em perfeitas condições técnicas.
- ▶ Manuseie cuidadosamente as baterias a fim de evitar danos e impedir a fuga de líquidos extremamente nocivos!
- ▶ As baterias não devem, em caso algum, ser modificadas ou manipuladas!
- ▶ As baterias não podem ser desmontadas, esmagadas, aquecidas acima dos 80 °C (176 °F) ou incineradas.
- ▶ Não utilize ou carregue baterias que tenham recebido uma pancada ou que estejam, de outra forma, danificadas. Verifique regularmente se as suas baterias apresentam indícios de danos.
- ▶ Nunca utilize baterias recicladas ou reparadas.
- ▶ Nunca utilize a bateria ou uma ferramenta eléctrica a bateria como ferramenta de percussão.
- ▶ Nunca expor as baterias à radiação solar directa, temperaturas elevadas, faíscas ou chamas abertas. Isso pode dar origem a explosões.
- ▶ Não toque nos pólos da bateria com os dedos, ferramentas, jóias ou outros objectos condutores da electricidade. Isto pode danificar a bateria e causar danos materiais e ferimentos.
- ▶ Mantenha as baterias afastadas da chuva, humidade e líquidos. A entrada de humidade pode causar curto-circuitos, choques eléctricos, queimaduras, incêndio e explosões.
- ▶ Utilize apenas carregadores e ferramentas eléctricas previstos para este tipo de bateria. Para isso, tenha em atenção as indicações nos respectivos manuais de instruções.
- ▶ Nunca utilize nem guarde a bateria em ambientes potencialmente explosivos.
- ▶ Se a bateria estiver demasiado quente ao toque, poderá estar com defeito. Coloque a bateria num local com boa visibilidade que não constitua risco de incêndio, suficientemente afastado de materiais inflamáveis. Deixe a bateria arrefecer. Se, passado uma hora, a bateria ainda estiver demasiado quente ao toque, então está com defeito. Contacte o Centro de Assistência Técnica **Hilti** ou leia a documento "Indicações relativas à segurança e utilização de baterias de iões de lítio **Hilti**".



Observe as regras específicas aplicáveis ao transporte, à armazenagem e à utilização de baterias de iões de lítio.

Leia as indicações relativas à segurança e utilização de baterias de iões de lítio **Hilti** que encontra efectuando a leitura do código QR na parte final deste manual de instruções.



## Descrição

### Vista geral do produto

- |   |   |   |                                |
|---|---|---|--------------------------------|
| ① | Mandril (SDS-max)                                     | ⑨ | Indicação de estado da bateria |
| ② | Limitador de profundidade - Regulação (acessórios)    | ⑩ | Punho auxiliar                 |
| ③ | Limitador de profundidade (acessório)                 | ⑪ | Interruptor on/off             |
| ④ | Selector de funções                                   | ⑫ | Botão para meia potência       |
| ⑤ | Botão de bloqueio de funcionamento contínuo do cinzel | ⑬ | Indicador de meia potência     |
| ⑥ | Interruptor on/off                                    | ⑭ | Indicador de manutenção        |
| ⑦ | Bateria   | ⑮ | Indicação Ligar/Desligar       |
| ⑧ | Botão de destravamento da bateria                     |   |                                |

### Utilização correcta

O produto descrito é um martelo perfurador a bateria SDS-max com mecanismo electropneumático de percussão. Está concebido para perfurar betão, alvenaria, madeira e metal. Além do mais, o produto pode ser utilizado para trabalhos de cinzelamento leves a médios em alvenaria e para trabalhos de acabamento de betão.

- Para este produto, utilize apenas baterias de iões de lítio **Hilti** Nuron da série B 22. Para garantir o desempenho perfeito, a **Hilti** recomenda para este produto as baterias indicadas nesta tabela, no fim deste manual de instruções.
- Para estas baterias utilize apenas carregadores **Hilti** das séries referidas na tabela, no final deste manual de instruções.

### Ancoragem para fundo alargado

O produto é adequado para a aplicação de ancoragens para fundo alargado seleccionadas. Utilizar apenas utensílios de assentamento adequados!

Para mais informações dirija-se ao Centro de Assistência Técnica **Hilti**.

### ATC

O produto está equipado com desactivação rápida electrónica ATC (Active Torque Control).

Se o acessório bloquear ou ficar preso, o produto irá rodar subitamente de forma descontrolada no sentido contrário. O ATC detecta este súbito movimento de rotação do produto e desliga imediatamente o produto.



Para o funcionamento correcto é necessário que o produto possa rodar.

Depois de efectuada a desactivação rápida, desligue e volte a ligar o produto.

### Active Vibration Reduction

O produto está equipado com um sistema Active Vibration Reduction (AVR) que diminui perceptivelmente as vibrações.

### Indicador de manutenção

O produto está equipado com um indicador de manutenção com sinal luminoso.

### MMI

Estado	Significado
O <b>indicador de manutenção</b> vermelho está aceso.	Foi atingido o tempo de trabalho predeterminado e requer-se agora uma manutenção.
O <b>indicador de manutenção</b> vermelho pisca.	Mande reparar o produto no Centro de Assistência Técnica <b>Hilti</b> .
A indicação Ligar/Desligar verde está acesa.	O produto está ligado
A indicação Ligar/Desligar verde pisca.	O produto está desligado devido a um erro temporário.
A indicação Ligar/Desligar verde está desligada.	O produto está desligado.
A indicação amarela <b>meia potência</b> está acesa.	O produto trabalha com meia potência ou a bateria está demasiado fraca para plena potência.
A indicação amarela <b>meia potência</b> está apagada.	O produto trabalha com plena potência.

### Incluído no fornecimento

Martelo perfurador SDS-max, puxo auxiliar, manual de instruções.

Poderá encontrar outros produtos de sistema aprovados para o seu produto na sua **Hilti Store** ou em: [www.hilti.group](http://www.hilti.group)

### Indicações da bateria de iões de lítio

As baterias de iões de lítio Nuron da **Hilti** podem apresentar o estado de carga, mensagens de erro e o estado da bateria.

### Indicações relativas ao estado de carga e mensagens de erro



#### AVISO

#### Risco de ferimentos devido à queda da bateria!

- ▶ Com a bateria encaixada, depois de pressionar o botão de destravamento, certifique-se de que volta a encaixar a bateria correctamente no produto utilizado.

Para obter uma das seguintes indicações, pressione brevemente o botão de destravamento da bateria.

O estado de carga, assim como, possíveis avarias são apresentados de forma permanente, enquanto o produto conectado estiver ligado.

Estado	Significado
Quatro (4) LEDs estão sempre acesos a verde	Estado de carga: 100% a 71%





Estado	Significado
Três (3) LEDs estão sempre acesos a verde	Estado de carga: 70% a 51%
Dois (2) LEDs estão sempre acesos a verde	Estado de carga: 50% a 26%
Um (1) LED está sempre aceso a verde	Estado de carga: 25% a 10%
Um (1) LED pisca lentamente a verde	Estado de carga: < 10%
Um (1) LED pisca rapidamente a verde	A bateria de íões de lítio está totalmente descarregada. Carregue a bateria. Se o LED ainda estiver a piscar rapidamente depois de carregar a bateria, contacte o Centro de Assistência Técnica <b>Hilti</b> .
Um (1) LED pisca rapidamente a amarelo	A bateria de íões de lítio ou o produto associado estão sobrecarregados, demasiado quentes, demasiado frios ou existe alguma outra falha. O produto e a bateria devem ser utilizados à temperatura de trabalho recomendada e o produto não deve ser sobrecarregado quando está a ser utilizado. Se a mensagem persistir, contacte o Centro de Assistência Técnica <b>Hilti</b> .
Um (1) LED acende-se a amarelo	A bateria de íões de lítio e o produto associado não são compatíveis. Contacte o Centro de Assistência Técnica <b>Hilti</b> .
Um (1) LED pisca rapidamente a vermelho	A bateria de íões de lítio está bloqueada e não pode continuar a ser utilizada. Contacte o Centro de Assistência Técnica <b>Hilti</b> .

#### Indicações relativas ao estado da bateria

Para consultar o estado da bateria, mantenha o botão de destravamento pressionado por mais de 3 segundos. O sistema não detecta potenciais anomalias da bateria devido a utilização inadequada como, por ex., quedas, perfurações, danos externos provocados pelo calor, etc.

Estado	Significado
Todos os LEDs acendem como luz de perseguição e, em seguida, um (1) LED está sempre aceso a verde.	A bateria pode continuar a ser utilizada.
Todos os LEDs acendem como luz de perseguição e, em seguida, um (1) LED pisca rapidamente a amarelo.	Não foi possível concluir a consulta sobre o estado da bateria. Repita o procedimento ou contacte o Centro de Assistência Técnica <b>Hilti</b> .
Todos os LEDs acendem como luz de perseguição e, em seguida, um (1) LED está sempre aceso a vermelho.	Se um produto conectado ainda puder ser utilizado, a capacidade restante da bateria é inferior a 50%. Se um produto conectado já não puder ser utilizado, a bateria está no fim da sua vida útil e deve ser substituída. Contacte o Centro de Assistência Técnica <b>Hilti</b> .

#### Características técnicas

##### Características técnicas

	TE 70-22
Geração de produtos	04
Tensão nominal	21,6 V
Peso sem bateria	8,9 kg (19,6 lb)
Energia de impacto	14,5 J
Diâmetro das brocas para furar em betão/alvenaria (furar com percussão)	1/2 in ... 2 3/16 in
Temperatura ambiente durante o funcionamento	-17 °C ... 60 °C (1 °F ... 140 °F)
Temperatura de armazenagem	-20 °C ... 70 °C (-4 °F ... 158 °F)

#### Bateria

Tensão de serviço da bateria	21,6 V
Peso da bateria	Consultar o fim deste manual de instruções
Temperatura ambiente durante o funcionamento	-17 °C ... 60 °C (1 °F ... 140 °F)
Temperatura de armazenagem	-20 °C ... 40 °C (-4 °F ... 104 °F)
Temperatura da bateria no início do carregamento	-10 °C ... 45 °C (14 °F ... 113 °F)



## Preparação do local de trabalho


### AVISO

#### Risco de ferimentos devido a um arranque involuntário!

- ▶ Antes de encaixar a bateria, certifique-se de que o produto correspondente está desligado.
- ▶ Remova a bateria, antes de efectuar ajustes na ferramenta ou substituir acessórios.

Tenha em atenção as instruções de segurança e as advertências nesta documentação e no produto.

#### Carregar a bateria

1. Antes de carregar, leia o manual de instruções do carregador.
2. Certifique-se de que os contactos da bateria e do carregador estão limpos e secos.
3. Carregue a bateria num carregador aprovado.  36

#### Colocar a bateria

### AVISO

#### Risco de ferimentos devido a curto-circuito ou queda da bateria!

- ▶ Antes de encaixar a bateria, certifique-se de que os contactos da bateria e os contactos no produto estão livres de corpos estranhos.
- ▶ Certifique-se de que a bateria engata sempre correctamente.

1. A bateria deve ser completamente carregada antes da primeira utilização.
2. Introduza a bateria no produto até engatar de forma audível.
3. Verifique se a bateria está correctamente encaixada.

#### Retirar a bateria

1. Pressione o botão de destravamento da bateria.
2. Puxe a bateria para fora do produto.

#### Montar o punho auxiliar

### CUIDADO

#### Risco de ferimentos Perda do controlo sobre o produto.

- ▶ Certifique-se de que o punho auxiliar está correctamente montado e devidamente apertado. Certifique-se de que a fita tensora está aplicada na ranhura prevista para o efeito no produto.

### CUIDADO

#### Risco de ferimentos! Impedimento para o utilizador causado por aferidor de profundidade montado, mas não utilizado.

- ▶ Retire o limitador de profundidade do produto.

1. Rode o punho para soltar a abraçadeira (cinta de aperto) do punho auxiliar.
2. Deslize a abraçadeira (cinta de aperto) a partir da frente sobre o mandril (SDS-max) até à ranhura prevista para o efeito.
3. Coloque o punho auxiliar na posição desejada.
4. Rode o punho para apertar a abraçadeira (cinta de aperto) do punho auxiliar.

#### Colocar o limitador de profundidade (opcional)

1. Rode o punho para soltar a abraçadeira (cinta de aperto) do punho auxiliar.
2. Rode a maçaneta para aliviar a abraçadeira (cinta de aperto) do punho auxiliar.
3. Empurre o limitador de profundidade a partir da frente nos 2 furos de guia previstos para o efeito.
4. Rode a maçaneta para apertar a abraçadeira (cinta de aperto) do punho auxiliar.
5. Rode o punho para apertar a abraçadeira (cinta de aperto) do punho auxiliar.

#### Ajustar a potência



Depois de introduzir a bateria, o produto estará sempre ajustado para plena potência.

**Se utilizar baterias mais pequenas do que as recomendadas neste manual de instruções, o produto reduz automaticamente a potência. Deste modo evita-se uma sobrecarga e aumenta-se a vida útil das baterias.** O "indicador de meia potência" está aceso. Não é possível mudar para plena potência.

1. Pressione o "botão para meia potência". O produto é comutado para meia potência.
  - ▶ O "indicador de meia potência" está aceso.
2. Volte a pressionar o "botão para meia potência". O produto é comutado para plena potência.
  - ▶ O "indicador de meia potência" apaga-se.

#### Protecção anti-queda

### AVISO

#### Risco de ferimentos devido a queda de ferramentas e/ou acessórios!

- ▶ Utilize apenas o cabo de segurança para ferramentas Hilti recomendado para o seu produto.
- ▶ Antes de cada utilização, verifique o ponto de fixação do cabo de segurança para ferramentas quanto a possíveis danos.



Observe as directivas nacionais para trabalhos em altura.



Utilize exclusivamente o cabo de segurança para ferramentas **Hilti** #2261971 como protecção anti-queda para este produto.

- ▶ Fixe o cabo de segurança para ferramentas ao produto com o laço como ilustrado na imagem. Verifique se está bem apertado.
- ▶ Fixe o mosquetão a uma estrutura de suporte. Verifique se o mosquetão está bem apertado.



Observe o manual de instruções do cabo de segurança para ferramentas **Hilti**.

### Colocar / retirar o acessório



#### PERIGO

**Perigo de incêndio** Perigo em caso de contacto entre o acessório quente e materiais facilmente inflamáveis.

- ▶ Não pose o acessório ainda quente sobre materiais facilmente inflamáveis.



#### CUIDADO

**Perigo de ferimentos devido ao acessório!** O acessório pode estar quente ou com arestas vivas.

- ▶ Use luvas de protecção ao mudar o acessório.



A utilização de uma massa lubrificante não adequada pode provocar danos no produto. **Utilize apenas massa lubrificante original da Hilti.**

1. Lubrifique ligeiramente o encabadouro do acessório.
2. Encaixe o acessório até ao encosto no mandril (SDS-max) e deixe-o engatar.
3. Depois de colocada, tente puxar a broca para fora do mandril, verificando assim se está bem fixa.
  - ▶ O produto está operacional.
4. Puxe o bloqueio da ferramenta para trás, até ao batente, e retire o acessório.

### Utilização

Tenha em atenção as instruções de segurança e as advertências nesta documentação e no produto.

#### Ligar

1. Pressione o interruptor (ON/OFF).
2. Em seguida, pressione o interruptor on/off.

#### Selector de funções

- ▶ Coloque o selector de funções na posição de trabalho pretendida.
  - ▶ O selector de funções não pode ser operado durante o funcionamento. **Perigo de danos!**

#### Furar com percussão (furar de martelo)

- ▶ Coloque o selector de funções em:

#### Posicionar o cinzel



#### CUIDADO

**Risco de ferimentos!** Perda do controlo sobre a direcção de cinzelamento.

- ▶ Não trabalhe na posição "Posicionar cinzel". Coloque o selector de funções na posição "Cinzelar", até engatar.



O cinzel pode ser fixo em 24 posições diferentes (em incrementos de 15°). Assim, tanto os cinzéis planos como os cinzéis côncavos podem ser ajustados na posição ideal para o trabalho em causa.

1. Coloque o selector de funções em:
2. Rode o cinzel para a posição desejada.
3. Coloque o selector de funções em: , até que engate.
  - ▶ O produto está operacional.

#### Cinzelar

- ▶ Coloque o selector de funções em:

#### Ligar/desligar o modo "operação continuada"



No modo de cinzelamento, pode bloquear o interruptor on/off no estado de ligado.

1. Empurrar para a frente o botão de bloqueio de funcionamento contínuo do cinzel.
2. Pressione o interruptor (ON/OFF).
3. Em seguida, pressione completamente o interruptor on/off.
  - ▶ O produto trabalha agora em operação continuada.
4. Empurrar para trás o botão de bloqueio de funcionamento contínuo do cinzel.
  - ▶ O produto desliga-se.



## Conservação e manutenção



### AVISO

#### Risco de lesão com a bateria encaixada !

- ▶ Retire sempre a bateria antes de todos os trabalhos de conservação e manutenção!

#### Conservação do produto

- Remova sujidade persistente com cuidado.
- Se existente, limpe as saídas de ar cuidadosamente com uma escova seca e macia.
- Limpe a carcaça apenas com um pano ligeiramente húmido.
- Utilize um pano limpo e seco, para limpar os contactos do produto.

#### Conservação das baterias de íões de lítio

- Nunca utilize uma bateria com as saídas de ar obstruídas. Limpe as saídas de ar cuidadosamente com uma escova seca e macia.
- Evite que a bateria seja exposta desnecessariamente a pó ou sujidade. Nunca exponha a bateria a humidade elevada (por ex., mergulhar em água ou deixar à chuva).

Se uma bateria tiver ficado encharcada, trate-a como uma bateria danificada. Isole-a num recipiente não inflamável e contacte o Centro de Assistência Técnica Hilti.

- Mantenha a bateria sem resíduos de óleo e massa consistente externos. Não permita que se acumule desnecessariamente pó ou sujidade sobre a bateria. Limpe a bateria com uma escova seca e macia ou um pano limpo e seco.  
Não toque nos contactos da bateria nem remova dos contactos a massa consistente aplicada de fábrica.
- Limpe a carcaça apenas com um pano ligeiramente húmido.

#### Manutenção



### AVISO

#### Perigo devido a choque eléctrico! Reparções incorrectas em peças eléctricas podem causar ferimentos e queimaduras graves.

- ▶ As reparações na parte eléctrica apenas podem ser executadas por um electricista especializado.
- Verifique, regularmente, todos os componentes visíveis quanto a danos e os comandos operativos quanto a funcionamento perfeito.
- Não opere o produto se existirem danos e/ou perturbações de funcionamento. Mande reparar o produto imediatamente no Centro de Assistência Técnica Hilti.
- Após os trabalhos de conservação e manutenção, aplique todos os dispositivos de proteção e verifique se funcionam corretamente.



A garantir um funcionamento seguro utilize apenas peças sobresselentes, consumíveis e acessórios originais. Poderá encontrar peças sobresselentes, consumíveis e acessórios aprovados pela Hilti para o seu produto na sua **Hilti Store** ou em: **www.hilti.group**

## Transporte e armazenamento

### Transporte de ferramentas a bateria e baterias



### CUIDADO

#### Arranque inadvertido durante o transporte !

- ▶ Transporte os seus produtos sempre sem as baterias colocadas!
- ▶ Retire a/as bateria(s).
- ▶ Nunca transporte as baterias sem embalagem. Durante o transporte, as baterias devem ser protegidas contra impactos e vibrações excessivos e isoladas de quaisquer materiais condutores ou outras baterias, para que não entrem em contacto com os pólos de outras baterias e causem um curto-circuito. **Observe as suas normas de transporte locais para baterias.**
- ▶ As baterias não devem ser enviadas por correio. Quando pretender enviar baterias não danificadas, contacte uma empresa transportadora.
- ▶ Verifique o produto e as baterias quanto a danos antes de cada utilização, bem como antes e depois de longos períodos de transporte.

#### Armazenamento de ferramentas a bateria e baterias



### AVISO

#### Dano accidental devido a baterias com defeito ou a perderem líquido !

- ▶ Armazene os seus produtos sempre sem as baterias colocadas!
- ▶ Guarde o produto e as baterias em lugar fresco e seco. Tenha em atenção os valores limite de temperatura, que estão indicados nas Características técnicas. ➔ 37
- ▶ Não guarde as baterias no carregador. Após o processo de carregamento, retire sempre a bateria do carregador.
- ▶ Nunca armazene as baterias em locais sujeitos a exposição solar, em cima de fontes de calor ou por trás de um vidro.
- ▶ Guarde o produto e as baterias fora do alcance das crianças e das pessoas não autorizadas.
- ▶ Verifique o produto e as baterias quanto a danos antes de cada utilização, bem como antes e depois de longos períodos de armazenamento.

#### Ajuda em caso de avarias

Sempre que ocorra uma avaria, observe a indicação de estado da bateria. Consulte o capítulo **Indicações da bateria de íões de lítio** ➔ 36.

No caso de avarias que não sejam mencionadas nesta tabela ou se não conseguir resolvê-las por si mesmo, contacte o nosso Centro de Assistência Técnica Hilti.



Avaria	Causa possível	Solução
Não tem percussão.	Produto está demasiado frio.	▶ Coloque o produto em contacto com o material base e deixe-o trabalhar em vazio. Se necessário, repita, até o mecanismo de percussão trabalhar.
A bateria descarrega-se mais depressa do que habitualmente.	O estado da bateria não é o ideal.	▶ Averigüe o estado da bateria. Capítulo "Indicações da bateria de iões de lítio"  36.
A bateria não engata com um "clique" audível.	Patilha de fixação suja na bateria.	▶ Limpe a patilha de fixação e volte a encaixar a bateria.
Os LEDs na bateria não indicam nada.	Bateria avariada.	▶ Dirija-se ao Centro de Assistência Técnica <b>Hilti</b> .
O fuso da ferramenta não roda.	Foi excedida a temperatura de funcionamento permitida do sistema electrónico do produto.	A indicação Ligar/Desligar verde pisca. ▶ Deixe arrefecer o produto.
	A bateria não está completamente encaixada.	▶ Encaixe a bateria com clique audível.
O produto desliga-se automaticamente.	Protecção contra sobrecarga activa.	A indicação Ligar/Desligar verde pisca. ▶ Solte o interruptor on/off. Deixe arrefecer o produto. Accione novamente o interruptor on/off. Reduza a carga da ferramenta.
O produto desliga-se em caso de broca encravada.	O dispositivo de protecção electrónico foi activado, para evitar que o encravamento prossiga.	▶ Solte a broca.
O produto ou a bateria aquece demasiado.	Avaria eléctrica.	▶ Desligue imediatamente o produto. Retire a bateria e observe-a. Deixe-a arrefecer. Contacte um Centro de Assistência Técnica <b>Hilti</b> .
	Produto sobrecarregado (limite de aplicação ultrapassado).	▶ Seccione um produto correcto em função da utilização.
Os LEDs na bateria não indicam nada.	Bateria avariada.	▶ Dirija-se ao Centro de Assistência Técnica <b>Hilti</b> .
O produto não atinge plena potência.	O interruptor on/off não foi totalmente pressionado.	▶ Pressione o interruptor on/off o máximo possível.
	Botão de meia potência ligado.	▶ Pressione o botão "meia potência".
A broca não roda.	O selector de funções não está engatado ou está na posição "Cinzelar"  ou na posição "Posicionar cinzel" .	▶ Com a ferramenta parada, coloque o selector de funções na posição "Furar de martelo" .
O acessório ficou preso no mandril.	O mandril (SDS-max) não está completamente puxado para trás.	▶ Puxe o bloqueio da ferramenta para trás, até ao encosto, e retire a ferramenta.
	Punho auxiliar incorrectamente colocado.	▶ Alivie o punho auxiliar e reposicione-o correctamente de forma a que a abraçadeira de aperto e o punho encaixem na ranhura.
O produto não arranca.	O bloqueio electrónico está activado após uma interrupção de corrente.	▶ Desligue e volte a ligar o produto.
Indicador de manutenção aceso.	Atingida a data limite de manutenção.	▶ Mande efetuar a manutenção do produto no Centro de Assistência Técnica <b>Hilti</b> .
Indicador de manutenção pisca.	Dano no produto.	▶ Mande reparar o produto no Centro de Assistência Técnica <b>Hilti</b> .
A indicação Ligar/Desligar pisca.	Produto sobrecarregado por instantes.	▶ Solte o interruptor on/off e volte a accioná-lo.
	Disjuntor térmico.	▶ Deixe o produto arrefecer e limpe as saídas de ar.

## Reciclagem




### AVISO

**Perigo de ferimentos devido a eliminação incorrecta!** Riscos para a saúde devido à fuga de gases ou líquidos.

- ▶ Não envie quaisquer baterias danificadas!
- ▶ Para evitar curto-circuitos, cubra as conexões com um material não condutor.
- ▶ Elimine as baterias de modo a mantê-las longe do alcance das crianças.
- ▶ Efectue a reciclagem da bateria na sua **Hilti Store** ou entre em contacto com a empresa de recolha de lixo responsável.



 Os produtos **Hilti** são, em grande parte, fabricados com materiais recicláveis. Um pré-requisito para a reciclagem é que esses materiais sejam devidamente separados. Em muitos países, a **Hilti** aceita o seu aparelho usado para reaproveitamento. Para mais informações, dirija-se ao Serviço de Clientes **Hilti** ou ao seu vendedor.



- ▶ Não deite as ferramentas eléctricas, aparelhos electrónicos e baterias no lixo doméstico!

---


**Garantia do fabricante**

- ▶ Se tiver dúvidas em relação às condições de garantia, contacte o seu parceiro **Hilti** local.

---

**Mais informações**

Pode consultar informações mais pormenorizadas sobre Utilização, Tecnologia, Meio ambiente, Declaração RoHS (apenas mercados na China e Taiwan) e Reciclagem na seguinte hiperligação: [qr.hilti.com/manual/?id=2392575](https://qr.hilti.com/manual/?id=2392575)

Também encontra esta hiperligação como código QR neste Manual de instruções, assinalada com o símbolo .



**■ NURON**

<b>B 22-170</b>	<b>(01)</b>	1,34 kg	2.95 lb
<b>B 22-195</b>	<b>(01)</b>	1,33 kg	2.93 lb
<b>B 22-255</b>	<b>(01)</b>	1,87 kg	4.12 lb
<b>B 22-260</b>	<b>(01)</b>	1,64 kg	3.62 lb
<b>B 22-290</b>	<b>(01)</b>	1,81 kg	3.99 lb



<b>C 4-22</b>
<b>C 6-22</b>
<b>C 8-22</b>





Hilti Corporation  
LI-9494 Schaan  
Tel.:+423 234 21 11  
Fax:+423 234 29 65  
[www.hilti.group](http://www.hilti.group)



2392575